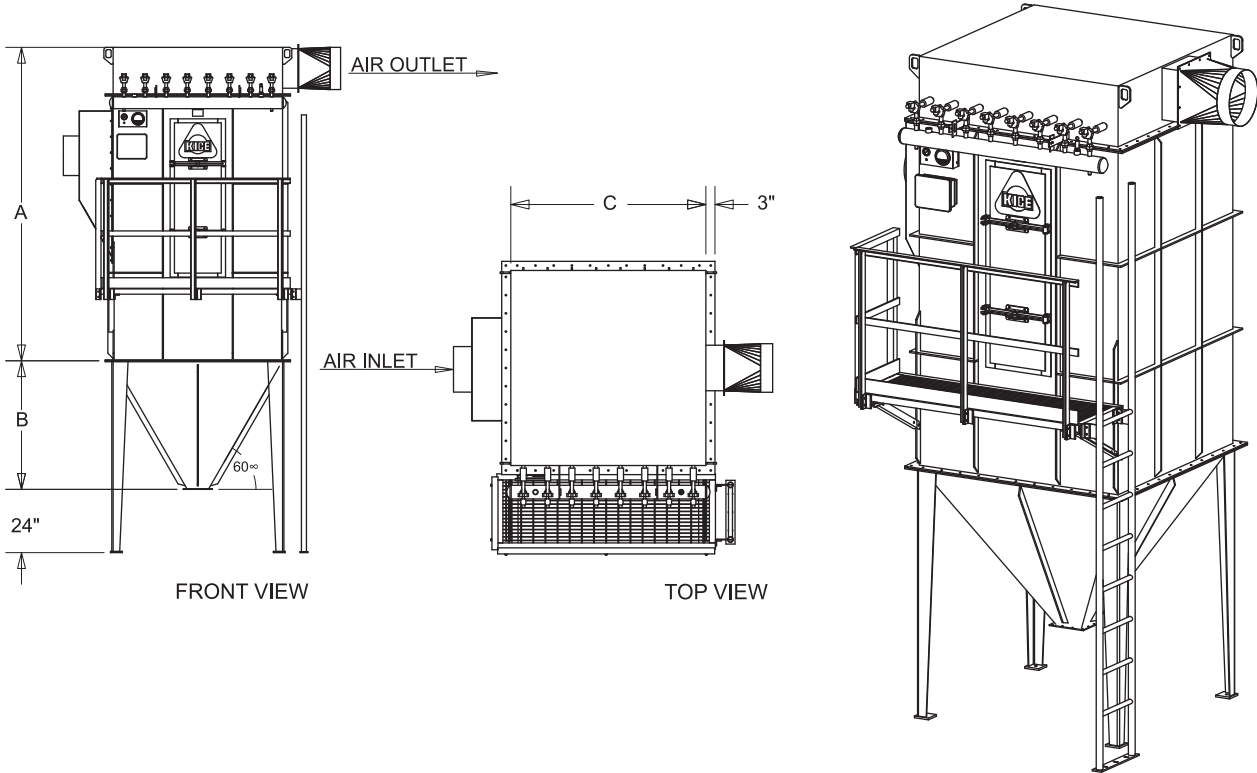




# VS VENTURI JET FILTERS

KICE INDUSTRIES, INC. / 5500 Mill Heights Drive / Wichita, KS 67219

www.kice.com / sales@kice.com



MODEL #	FILTER AREA <sup>2</sup>	A	B	C	EST. WEIGHT
VS 16-4	77	71	21	32 1/4	1100
VS 25-4	120	71	28	40 1/4	1350
VS 36-4	173	71	34 3/4	48 1/4	1650
VS 49-4	235	71	42	56 1/4	2050
VS 16-6	113	95	21	32 1/4	1650
VS 25-6	177	95	28	40 1/4	2000
VS 36-6	254	95	34 3/4	48 1/4	2400
VS 49-6	346	95	42	56 1/4	2900
VS 64-6	452	95	48 3/4	64 1/4	3400
VS 81-6	573	95	55 1/2	72 1/4	4000
VS 100-6	707	95	62 1/2	80 1/4	4600
VS 16-8	151	119	21	32 1/4	1800
VS 25-8	236	119	28	40 1/4	2200
VS 36-8	339	119	34 3/4	48 1/4	2550
VS 49-8	462	119	42	56 1/4	3200
VS 64-8	603	119	48 3/4	64 1/4	3800
VS 81-8	763	119	55 1/2	72 1/4	4500
VS 100-8	942	119	62 1/2	80 1/4	5100
VS 121-8	1140	119	69	88 1/4	6300
VS 16-10	188	143	21	32 1/4	2050
VS 25-10	295	143	28	40 1/4	2400
VS 36-10	424	143	34 3/4	48 1/4	2950
VS 49-10	577	143	42	56 1/4	3500
VS 64-10	754	143	48 3/4	64 1/4	4100
VS 81-10	954	143	55 1/2	72 1/4	5000
VS 100-10	1178	143	62 1/2	80 1/4	5500
VS 121-10	1425	143	69	88 1/4	6700

## NOTES:

DIMENSIONS SHOWN MAY VARY DEPENDING ON JOB REQUIREMENTS

ENCLOSURE SUITABLE FOR EITHER POSITIVE OR NEGATIVE PRESSURE DIFFERENTIAL UP TO 20"WC

PREASSEMBLED ENCLOSURE - BAGS AND CAGES TO BE INSTALLED ON SITE

FILTER BAGS 4.5" DIA. - LENGTHS VARY BY MODEL

OPTIONAL EXTERIOR WALKWAY AND LADDERS SHOWN

APPROVAL DRAWINGS TO BE SUBMITTED UPON RECEIPT OF ORDER

60 DEGREE HOPPER SHOWN  
70 DEGREE HOPPER AVAILABLE