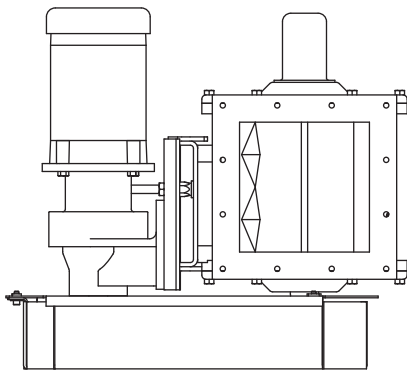




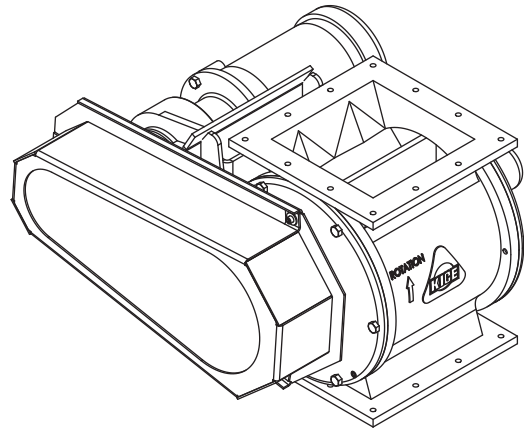
VJ SQUARE AIRLOCKS

KICE INDUSTRIES, INC. / 5500 Mill Heights Drive / Wichita, KS 67219

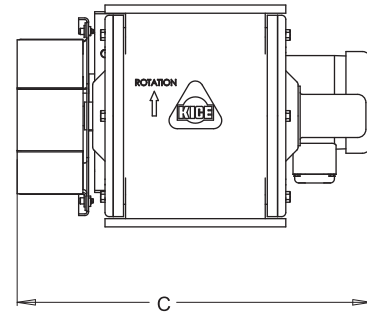
www.kice.com / sales@kice.com



TOP VIEW



MODEL #	CU. FT / REV	A	B	C	EST. WEIGHT
VJ 8X6X6	0.16	11 1/2	21 9/16	20 11/16	116
VJ 10X8X8	0.33	13 1/2	21 9/16	23 15/16	162
VJ 12X8X8	0.55	16 3/4	21 5/8	26 9/16	230
VJ 14X10X10	0.67	18 1/2	23 7/16	32 5/16	307
VJ 16X12X12	1.10	20 1/2	25 3/8	33 5/16	415
VJ 18X12X12	1.45	22 1/2	25 15/16	34 5/16	487
VJ 18X14X14	1.67	22 1/2	27 7/8	34 1/4	539
VJ 20X12X12	1.84	24 1/4	26	35 7/16	726
VJ 20X15X15	2.30	24 1/4	28 15/16	35 7/16	793
VJ 24X15X15	3.20	28 1/2	28 15/16	39 7/16	971



FRONT VIEW

NOTES:

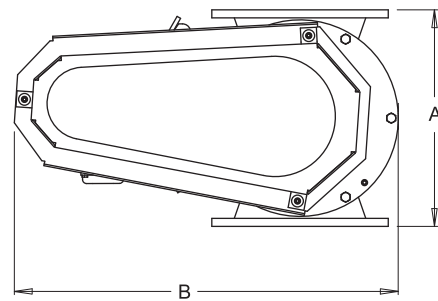
DIMENSIONS SHOWN MAY VARY DEPENDING ON JOB REQUIREMENTS

OPTIONAL GEARMOTOR, DRIVES AND GUARD SHOWN

STANDARD CAST IRON CONSTRUCTION

REFERENCE KICE DATA SHEET DWG# RAV-1008 FOR FLANGE PATTERNS

SQUARE INLET AND OUTLET



SIDE VIEW