

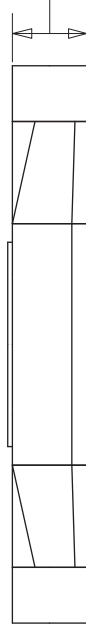


ROUND TYPE BOLT-ON PANS

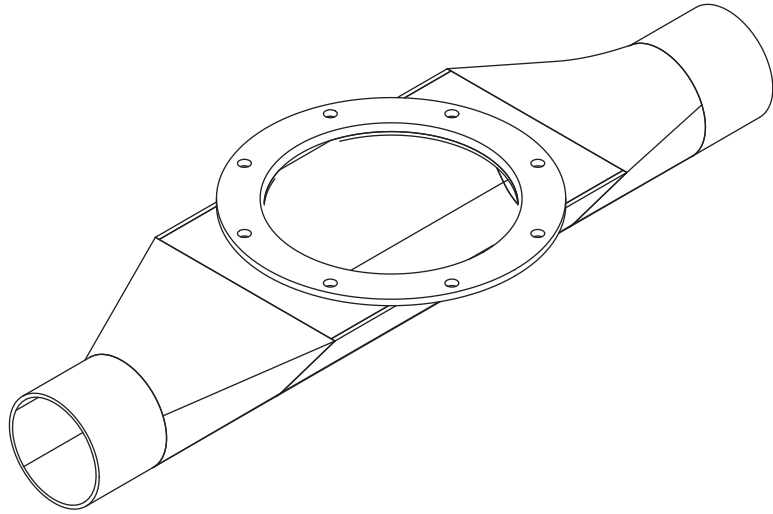
KICE INDUSTRIES, INC. / 5500 Mill Heights Drive / Wichita, KS 67219

www.kice.com / sales@kice.com

DIAMETER AS REQUIRED



SIDE VIEW

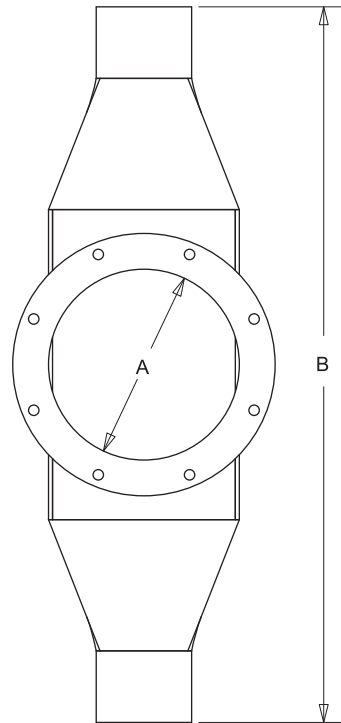


MODEL #	A	B
BOPT 6	6	24
BOPT 8	8	28
BOPT 10	10	32
BOPT 12	12	36
BOPT 14	14	39
BOPT 15	15	42

NOTES:

DIMENSIONS SHOWN MAY VARY DEPENDING ON JOB REQUIREMENTS

FABRICATED STEEL CONSTRUCTION



TOP VIEW

ROUND TYPE BOLT-ON PANS

DWG. NO. RAW-1015