

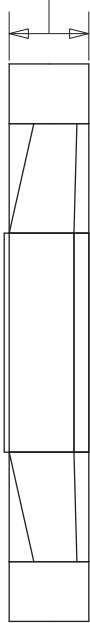


TROUGH TYPE BOLT-ON PANS

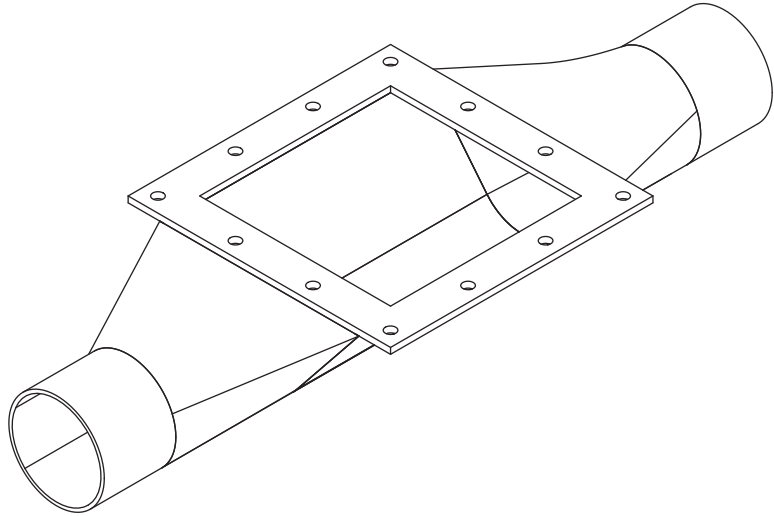
KICE INDUSTRIES, INC. / 5500 Mill Heights Drive / Wichita, KS 67219

www.kice.com / sales@kice.com

DIAMETER AS REQUIRED



SIDE VIEW



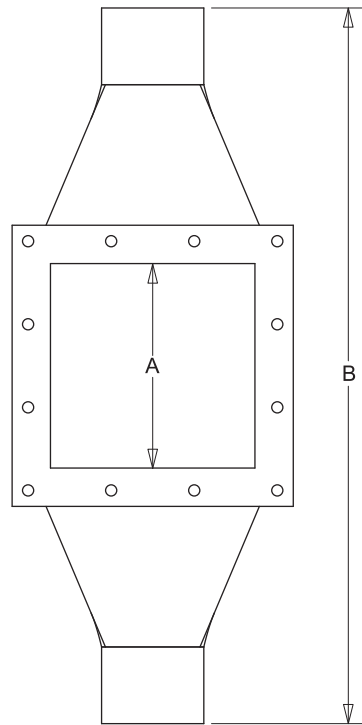
MODEL #	A	B
BOPT	6X6	24
BOPT	8X8	28
BOPT	10X10	32
BOPT	12X12	36
BOPT	14X14	39
BOPT	15X15	42

NOTES:

DIMENSIONS SHOWN MAY VARY DEPENDING ON JOB REQUIREMENTS

FABRICATED STEEL CONSTRUCTION

FLANGE PATTERNS TO MATCH KICE AIRLOCKS



TOP VIEW