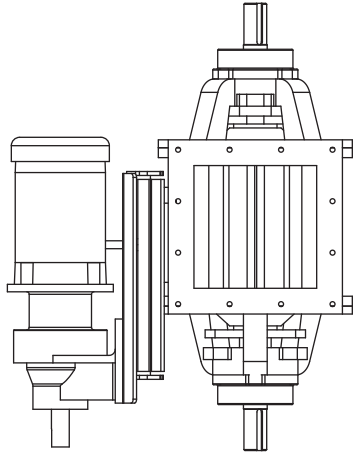




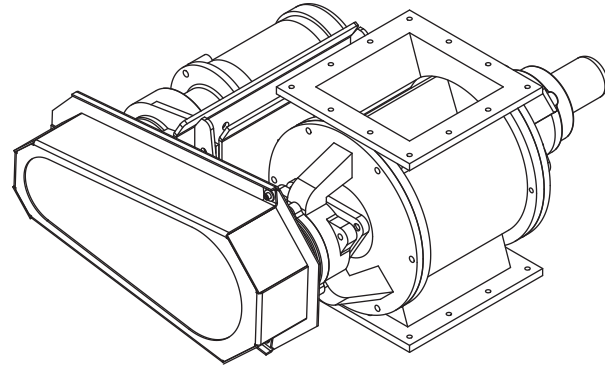
# VJOT SQUARE AIRLOCKS

KICE INDUSTRIES, INC. / 5500 Mill Heights Drive / Wichita, KS 67219

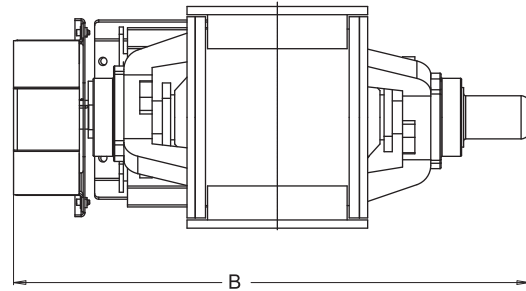
www.kice.com / sales@kice.com



TOP VIEW



MODEL #	CU. FT / REV	A	B	C	EST. WEIGHT
VJOT 8X6X6	0.16	11 1/2	29 15/16	22 3/4	285
VJOT 10X8X8	0.33	13 1/2	31 7/8	25	325
VJOT 12X8X8	0.55	16 3/4	32 1/16	27 15/16	375
VJOT 14X10X10	0.67	18 1/2	33 7/8	28 1/16	471
VJOT 16X12X12	1.10	20 1/2	35 9/16	33 5/16	576
VJOT 18X12X12	1.45	22 1/2	35 5/8	34 5/16	694
VJOT 18X14X14	1.67	22 1/2	37 9/16	34 5/16	743
VJOT 20X12X12	1.84	24 1/4	35 7/16	35 3/4	746
VJOT 20X15X15	2.30	24 1/4	38 3/8	39 3/8	815
VJOT 24X15X15	3.20	28 1/2	38 3/8	39 3/8	931



FRONT VIEW

## NOTES:

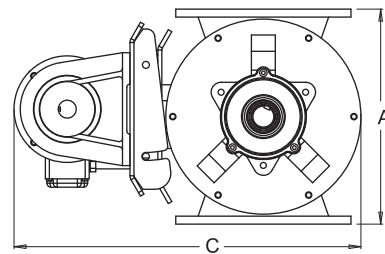
DIMENSIONS SHOWN MAY VARY DEPENDING ON JOB REQUIREMENTS

OPTIONAL GEARMOTOR, DRIVES AND GUARD SHOWN

STANDARD CAST IRON CONSTRUCTION

REFERENCE KICE DATA SHEET DWG# RAV 1008 FOR FLANGE PATTERNS

SQUARE INLET AND OUTLET



SIDE VIEW