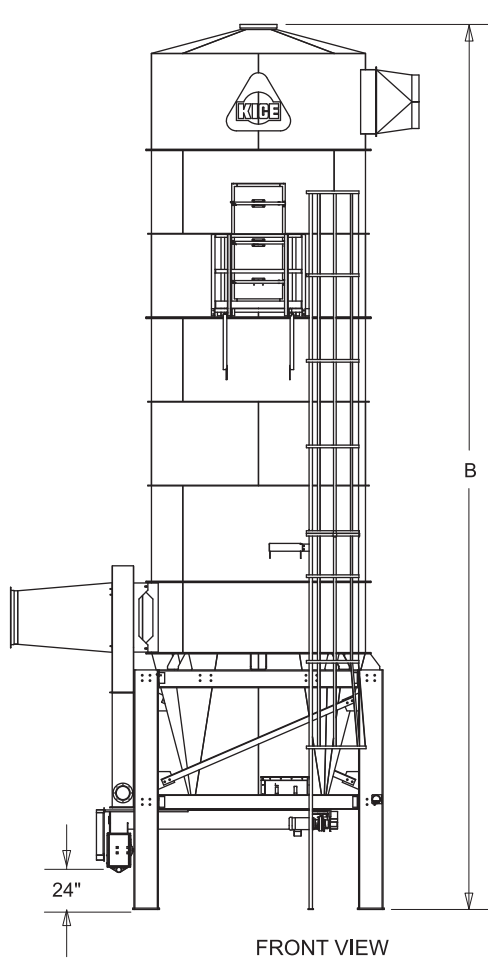




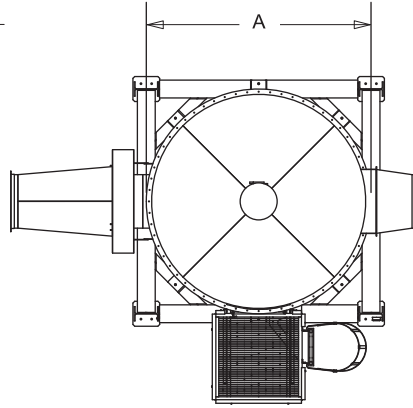
KICE INDUSTRIES, INC. / 5500 Mill Heights Drive / Wichita, KS 67219

www.kice.com / sales@kice.com

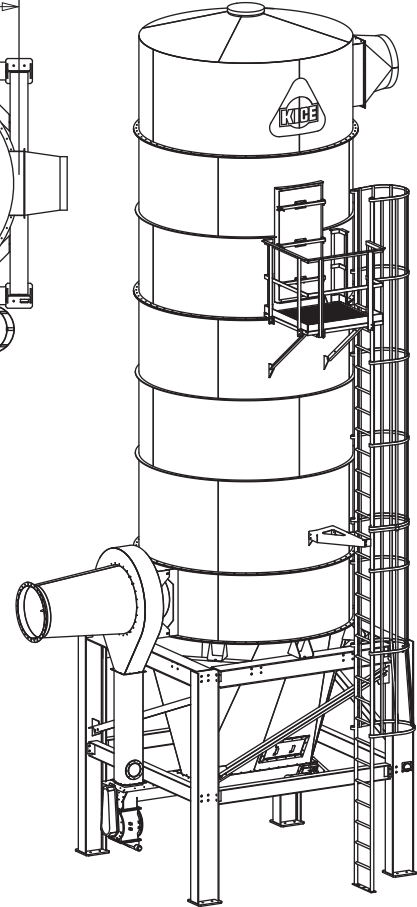
# CR SERIES FILTERS



FRONT VIEW



TOP VIEW



MODEL #	FILTER AREA <sup>2</sup>	A	B	EST. WEIGHT
CR188	2679	10' 6"	40' 7"	20,000
CR236	3363	11' 7"	42' 3"	23,000
CR288	4104	12' 8"	43' 7"	30,000
CR344	4902	13' 9"	44' 9"	34,000

**NOTES:**

HIGH STATIC, BAG CLEANING FAN DRIVEN BY 25HP MOTOR

WELDED STEEL CONSTRUCTION, SHIPPED IN SECTIONS

INTERIOR OF CLEAN AIR CHAMBER INCLUDES LIGHTING AND CROSS VENTILATION DOOR

APPROVAL DRAWINGS TO BE SUBMITTED UPON RECEIPT OF ORDER