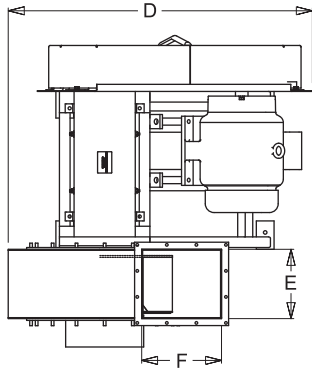




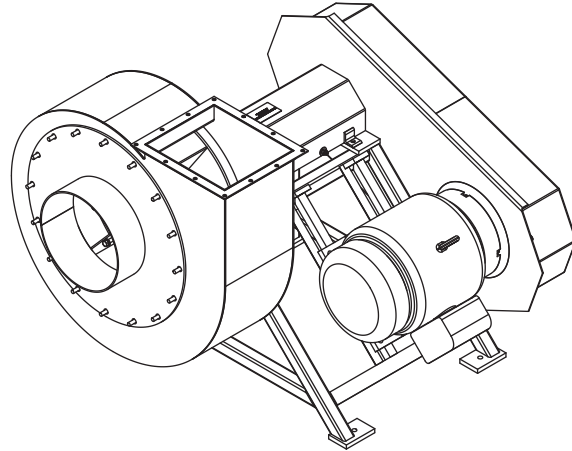
# FC ARR9 FANS

KICE INDUSTRIES, INC. / 5500 Mill Heights Drive / Wichita, KS 67219

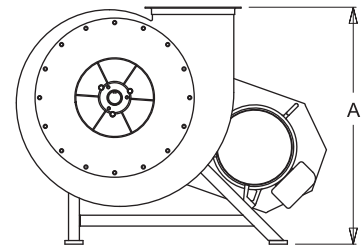
www.kice.com / sales@kice.com



TOP VIEW



MODEL #	A	B	C	D	E	F	EST. WEIGHT
FC - 5	20 1/2	14 1/4	27 11/16	31 3/4	4 1/2	5 1/4	198
FC - 7	22 5/8	14 3/8	32 5/16	31 3/4	6 3/4	7 1/4	237
FC - 9	27 5/8	17 1/8	38 1/4	34 3/4	8 1/2	9 3/8	411
FC - 11	32 3/4	20 1/4	42 1/2	42 7/8	9 3/4	11 1/4	546
FC - 13	36	21	48	45 7/8	11 1/4	13	708
FC - 15	41	24	51 3/4	57 1/16	13	14 7/8	909
FC - 17	46 3/4	27 3/4	55 7/8	62 13/16	15 1/8	17 1/8	1192
FC - 19	51 1/4	30 1/4	59 3/8	65 7/16	16 5/8	18 7/8	1535
FC - 21	56 1/4	32 3/4	64 3/4	73 1/8	18 1/8	20 3/4	1772
FC - 23	62 1/4	36 1/4	71 1/2	76 1/16	19 3/4	22 7/8	1974
FC - 26	71 1/4	42	73 1/2	87 3/4	21 1/2	25 1/4	2548
FC - 29	78	45 1/2	77	91 1/4	25	28 5/8	2926



FRONT VIEW

**NOTES:**

DIMENSIONS SHOWN MAY VARY DEPENDING ON JOB REQUIREMENTS

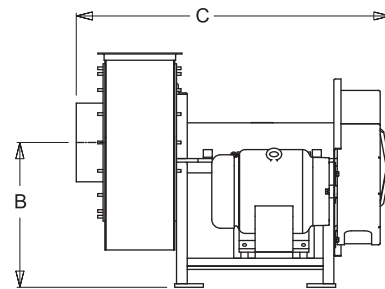
MATERIALS OF CONSTRUCTION PER SPECIFIC JOB

FOOTPRINT UPON REQUEST

MOTOR SIZE PER SPECIFIC JOB

STANDARD ORIENTATION SHOWN, MOTOR LEFT, CW ROTATION, VERTICAL UP DISCHARGE

MOTOR LOCATION, DISCHARGE DIRECTION AND HOUSING ROTATION MAY VARY PER SPECIFIC JOB REQUIREMENTS



SIDE VIEW