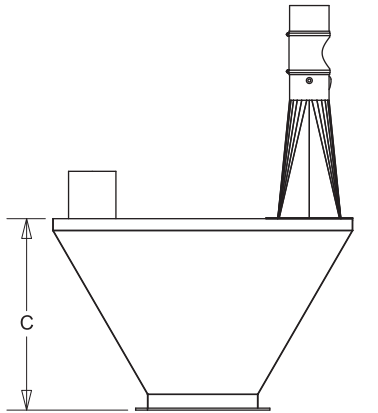




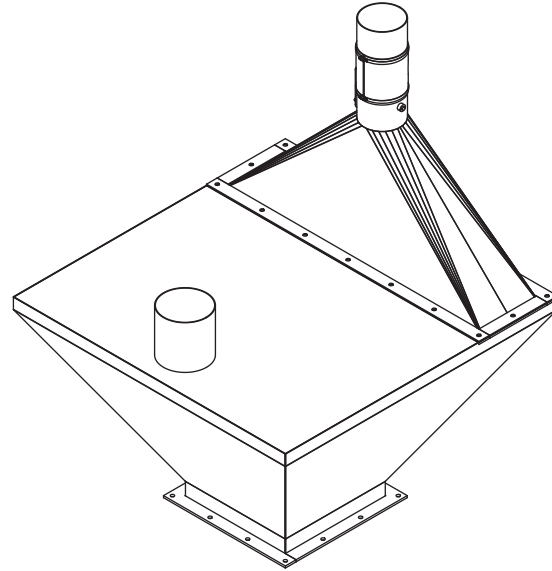
SURGE HOPPER TYPE II (SQUARE)

KICE INDUSTRIES, INC. / 5500 Mill Heights Drive / Wichita, KS 67219

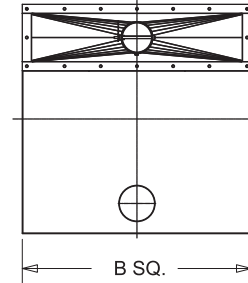
www.kice.com / sales@kice.com



SIDE VIEW



MODEL	A	B	C	EST. WEIGHT
24" TO 6"	36	24	19	65
24" TO 8"	34 1/2	24	17 1/2	65
31" TO 10"	43 1/2	31	21 1/2	80
31" TO 12"	42	31	20	80
38" TO 14"	51 1/4	38	24 1/4	101
38" TO 15"	50 1/4	38	23 1/4	101
45" TO 24"	48 1/4	45	20 1/4	134



TOP VIEW

NOTES:

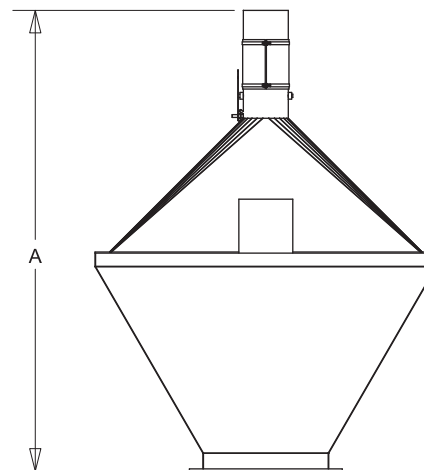
DIMENSIONS SHOWN MAY VARY DEPENDING ON JOB REQUIREMENTS

MATERIALS OF CONSTRUCTION PER SPECIFIC JOB

SQUARE OR ROUND FLANGES DEPENDING ON JOB

SIGHT GLASS STANDARD

INLET DIMENSION PER SPECIFIC JOB



FRONT VIEW