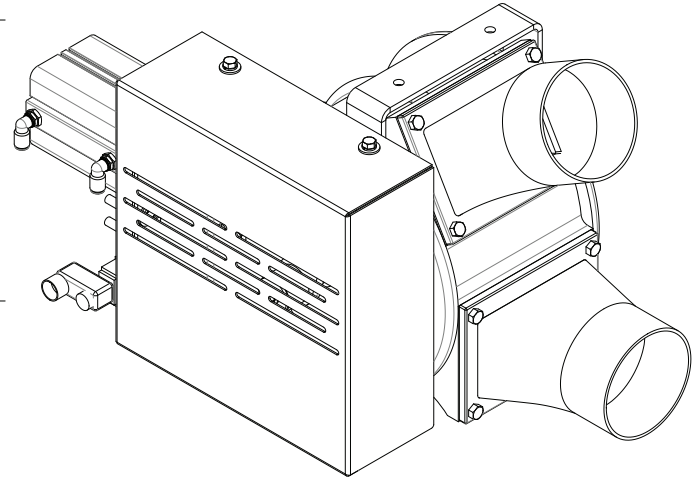
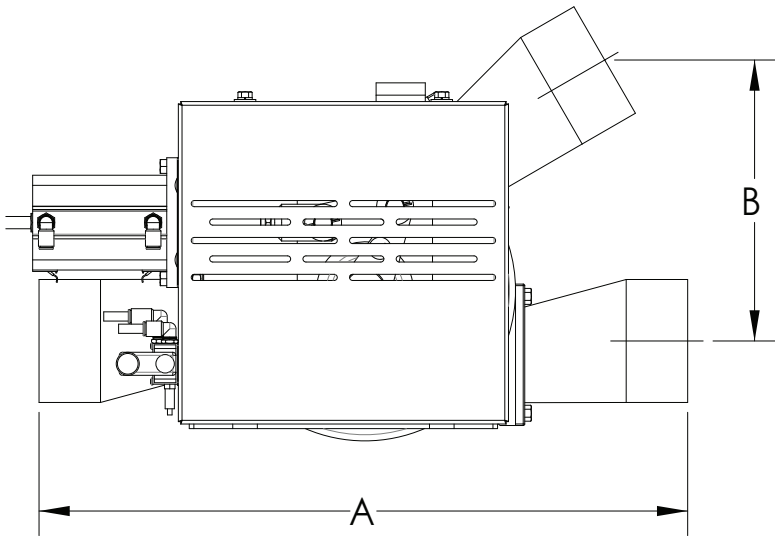




KICE INDUSTRIES, INC. / 5500 Mill Heights Drive / Wichita, KS 67219

www.kice.com / sales@kice.com

67QX-2 DIVERTER VALVES



SIDE VIEW

MODEL #	A	B	C	EST. WEIGHT (lb)
67Q2-2	18 1/4"	7 1/2"	16 3/4"	87
67Q2-2.5	18 1/4"	7 1/2"	16 3/4"	87
67Q3-2	18 1/4"	7 1/2"	16 3/4"	88
67Q4-2	18 1/4"	9 1/2"	18 3/16"	115
67Q5-2	19 5/16"	11 7/16"	19 1/4"	180
67Q6-2	32 3/4"	13 15/16"	20 3/4"	247
67Q8-2	42"	16 1/8"	24 7/8"	438
67Q10-2	52 1/16"	20 7/16"	29"	579
67Q12-2	59 3/8"	24 1/2"	30 3/16"	878

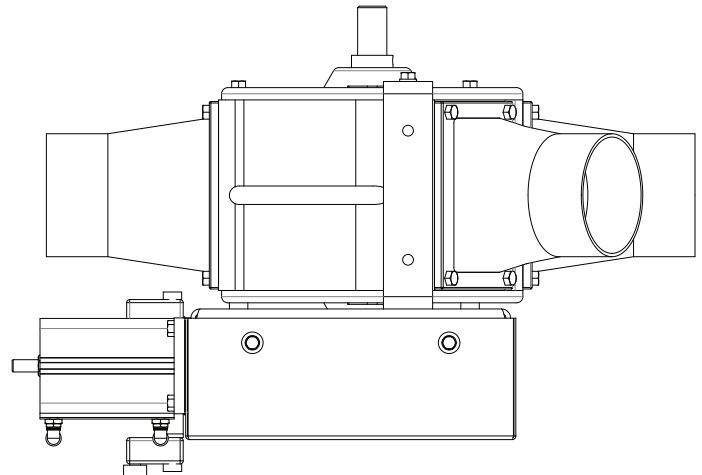
NOTES:

DIMENSIONS SHOWN ARE ESTIMATES

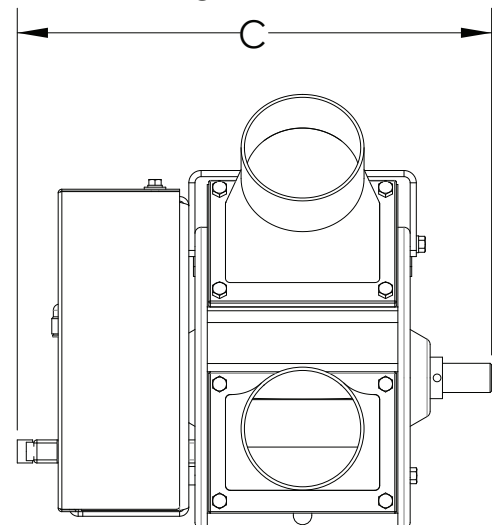
IF LINE SIZES ARE INCREASED BY 1/2" INCREMENTS, BODY DIMENSIONS REMAIN THE SAME

CAST IRON CONSTRUCTION

AIR OPERATED CONTROLS ARE SHOWN. MANUAL CONTROLS OR ELECTRIC ACTUATORS ARE AVAILABLE



TOP VIEW



FRONT VIEW