

57GA series

Operators Manual
SLG-M00-0000

MAINTENANCE INSTRUCTIONS

This manual is provided to help you service and maintain the Kice 57GA series. Before disassembling any Slide Gate Valve, we recommend that you check the valve identification plate and note the model and serial number, so that you can identify the wear parts as listed in the exploded parts view.

Overview

The performance of the 57GA series can be enhanced by tightening the packing eye bolts, while the valve remains in service. This valve has compression loaded packing cords on the blade. Increasing the compression load by tightening the eye adjustment bolt allows the valve to seal better.

Please read and follow all safety instructions prior to installing, maintaining or operating equipment. Failure to comply with instructions may result in personal injury.

Maintenance & Service

Basic Tools Required:

- Open-End Wrenches – 8, 10, 13, 18 mm
- Scissors or shears
- Flat blade screwdriver or putty knife

Recommended Torque Requirement for Fasteners:

Metric Fastener	Torque	
	ft-lb	N-M
M6 X 1.00	8	10.8
M8 X 1.00	19	25.8
M8 X 1.25	19	25.8
M12 X 1.5	65	88.1

Section 1

- Packing Adjustment Procedure

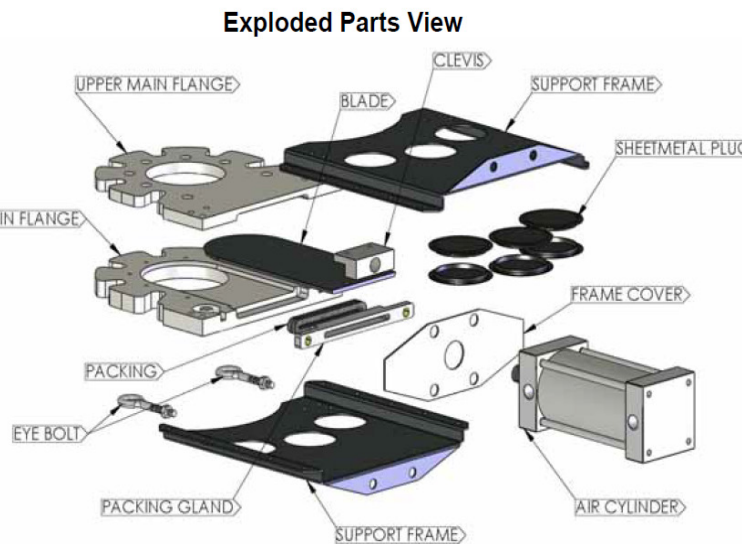
Section 2

- Packing Replacement Procedure

Parts List

Item Description	Quantity
Upper Main Flange	1
Lower Main Flange	1
Blade	1
Clevis	1
Support Frame	2
Packing Gland	1
Frame Cover	1
**Packing	2
Air Cylinder	1
Eye Bolt	2
Sheet Metal Plug	6

** Indicates parts that may require replacement due to wear or inadvertent damage.



SAFETY PRECAUTIONS

Safety Symbols



This safety alert symbol is used to call your attention to an important safety message on equipment, safety decals and in manuals, to warn you of possible danger to your personal safety. When you see this symbol, be alert. Your personal safety or the safety of others may be affected. Follow the instructions in the safety message.

Hazard Levels

The following definitions are used to identify hazard levels:



DANGER (RED) – Danger is used to indicate the presence of a hazard that **WILL** cause **SEVERE** personal injury, death or substantial property damage if the warning is ignored.



WARNING (ORANGE) – Warning is used to indicate the presence of a hazard that **CAN** cause **SEVERE** personal injury, death or substantial property damage if the warning is ignored.



CAUTION (YELLOW) – Caution is used to indicate the presence of a hazard that **WILL** or **CAN** cause **MINOR** personal injury or property damage if the warning is ignored.



WARNING: When performing maintenance, all energy sources associated with the equipment must be locked and tagged out in compliance with 29 CFR 1910.147, local enforcement authorities, OSHA, and facility safety practices, before removing any protective cover, guard, grate or maintenance gate.



WARNING: Review all Safety Precautions noted in the manual before performing maintenance on equipment.



DANGER: Never place hands or fingers in equipment, unless it has been disconnected and locked out.



DANGER

Disconnecting electrical power to a gate or diverter's controls or indicating switches will NOT prevent the gate or diverter from actuating. The compressed air line supplying compressed air to the gate/diverter's air cylinder must be installed so that it can either be disconnected, or positively blocked, from reaching the air cylinder.

Additionally, the residual air pressure inside the air cylinder must be vented.

Section 1

Packing Adjustment Procedure

STEP 1

Follow proper lockout/tagout safety procedures before performing inline service. Remove outer sheet metal plugs with flat blade screwdriver or putty knife.



STEP 2

To tighten packing adjustment nut, use an open end wrench. It is important that both sides be adjusted evenly and to the same torque.



STEP 3

Reinstall sheet metal plugs.



Section 2

Packing replacement Procedure

STEP 1

Remove valve from service following proper lockout / tagout safety procedures. With the valve safely removed and placed on a sturdy work surface, remove fasteners that attach the air cylinder to the support frame.



STEP 2

Remove fasteners on both sides of the valve that run the length of the support frame.



STEP 3

Remove the fasteners on both sides of the valve that attach through the support frame and upper and lower main flanges. Remove support frames from valve.



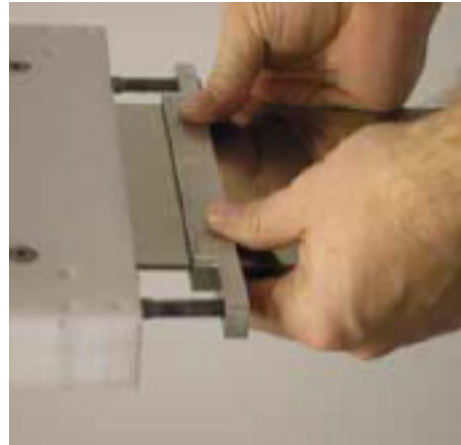
STEP 4

Being careful not to remove the blade from the valve body. Remove the nuts from eye bolts.



STEP 5

Remove packing gland from eye bolts. Note, the packing gland will not be completely removed from the blade.



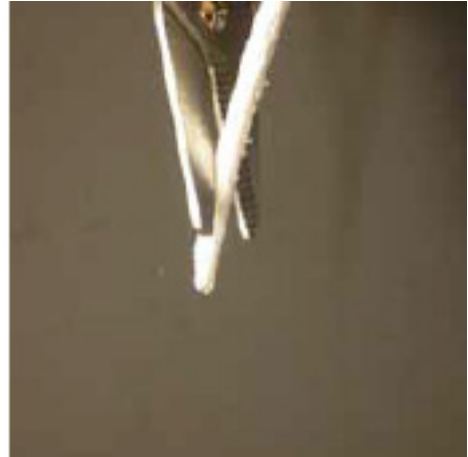
STEP 6

Using a flat blade screwdriver, remove both packing cords from the main flange assembly.



STEP 7

Using shears or scissors cut one end of the new packing cord at a 45° angle.



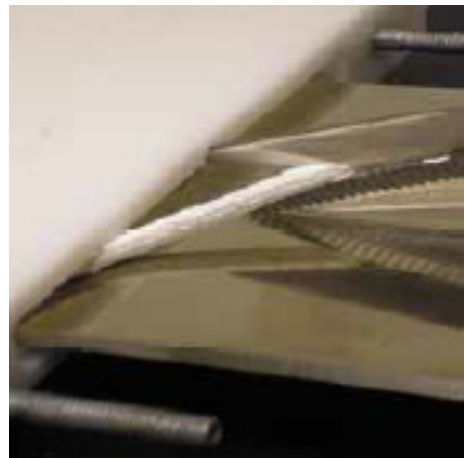
STEP 8

Insert the new packing cord into packing groove with 45° angle facing the air cylinder. Use flat blade screwdriver to push packing cord into the groove.



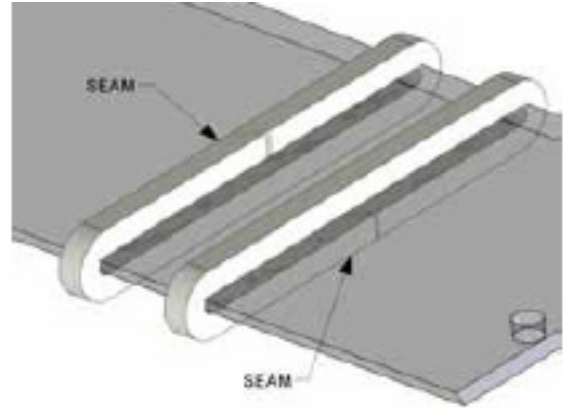
STEP 9

Cut opposite end of the new packing cord at a 45° angle to match the starting end of the packing cord. Use a flat blade screwdriver to push packing cord into the groove



STEP 10

Repeat steps 7 through 9 for the second packing cord. When installing the second packing cord place the seam on the opposite side of the blade as the first packing cord seam.



STEP 11

Install packing gland on eye bolts and hand tighten nuts. Note, the packing gland will be adjusted in step 15.



STEP 12

Reattach the support frames and insert fasteners through the main flanges.



STEP 13

Insert fasteners along the length of the support frame and tighten to recommended torque values.



STEP 14

Insert fasteners to attach air cylinder and tighten to recommended torque values



STEP 15

Refer to Packing Adjustment Procedure (Section 1) to tighten packing gland.

WARRANTY

The Company (Kice Industries, Inc.) warrants the equipment manufactured by the Company to be free of defects in material and workmanship for a period of one year from the date of shipment. Company agrees to repair or replace, at its option, any parts found to be defective in the opinion of the Company.

Company is not liable for any costs in connection with the removal, shipment or reinstallation of said parts. This warranty does not apply to abrasion, corrosion, or erosion. Purchaser agrees to look to the warranty, if any, of the manufacturer or supplier of equipment manufactured by others and supplied to the Company for any alleged defects in such equipment and for any damages or injuries caused thereby or as a result thereof.

**PURCHASER SHALL BE RESPONSIBLE FOR COMPLIANCE WITH ELECTRICAL
COMPONENT MANUFACTURER'S RECOMMENDATIONS, UNDERWRITERS CODE
AND ALL SAFETY PRECAUTIONS.**

The only warranty extended under this agreement is the above express warranty and there are no other warranties, express or implied, including warranties of merchantability, fitness for a particular purpose or otherwise which extends beyond the face hereof. The Company and its dealers shall not in any event be liable for consequential or incidental damages and this agreement provides purchaser's sole and exclusive remedy. Any actions for breach of this agreement or warranty must be commenced within one year after the cause of action has occurred.

KICE INDUSTRIES, INC.

5500 N. Mill Heights Dr.

Wichita, KS 67219-2358

(P) 316.744.7151

(F) 316.744.7355

sales@kice.com

kice.com