

DUST DUCT CONFIGURATIONS NOTES:

KICE WHITE PAINT IS STANDARD FOR ALL CARBON STEEL

"-NP" PART NUMBER SUFFIX INDICATES NO PAINT

"-P" PART NUMBER SUFFIX INDICATES PAINT (KICE WHITE)

"-SP" PART NUMBER SUFFIX INDICATES SPECIAL PAINT

SEE STANDARD DRAWINGS FOR FLANGE INFORMATION

"-X" PART NUMBER SUFFIX, SEE VANTAGE COMMENTS FOR FLANGE HOLE PATTERNS

SEE SPEED SPOUT MANUAL FOR SMALLER DIAMETERS

CONTACT KICE SALES OR QUICKSHIP FOR SPECIAL ITEMS NOT LISTED

GEN. NOTES:

1. BOLTS NOT FURNISHED WITH DUST DUCT COMPONENTS.
2. COLLARS FOR DUST DUCT ARE DESIGNED TO BE CONNECTED BY DRAW-TYPE COUPLING.
3. FOR FLANGES, REFERENCE ESS-4501.
4. FOR SF FLANGES, CIRCULAR FLANGE INFORMATION IS PER DWG. FLG-1000.
5. FOR SFS FLANGES REFERENCE DWG FLG-1001
6. SQUARE FLANGES; HOLES ON VERTICAL AND HORIZONTAL CENTERLINES.
7. SQUARE FLANGES; ALWAYS CENTER ONE HOLE IN EACH CORNER.
8. SQUARE FLANGES; BOLT HOLE IN CORNER; FIRST BOLT HOLE FROM CORNER TO BE NO LESS THAN 3", NO GREATER THAN 6" - REMAINING BOLT HOLES ON 6" SPACING.
9. UNLESS OTHERWISE NOTED, ALL DIMENSIONS MEASURE FROM CENTER TO CENTER.
10. UNLESS OTHERWISE NOTED, DUST DUCT COMPONENTS ARE CONSTRUCTED OF 14 GA. MILD STEEL.

**SQUARE/ RECTANGLE FLANGE SPECIFICATION TABLE**

FLANGE LENGTH	WIDTH	THICKNESS
24" OR LESS	1 - 1/2"	3/16"
25" OR GREATER	1 - 1/2"	1/4"

REVISIONS

REV	DESCRIPTION	REV BY	DATE
1-0	NEW RELEASE	TJU	07-01-16
2-0	REVISED DIAMETER NOTE ON PG. 3 AND REVISED LENGTH NOTE ON PG, 8 TO CLARIFY SS PART NUMBERING SCOPE	TJU	08-15-16
3-0	E.C.N. #18-023-RO	MRM	08-24-18
4-0	ECN #19-078-R0	MRM	02-20-19

DUST DUCT CATALOG

DESCRIPTION:



**KICE INDUSTRIES, INC.**

5500 MILL HEIGHTS DR. WICHITA, KANSAS 67219  
PH: (316) 744-7151 FAX: (316) 744- 7355

SHEET 1 OF 11

REV 4-0

TJU  
DWN:

07-01-16  
DATE:

DUC-5001  
DWG. NO.

# KICE DUCT ELBOWS - ER & EL

ER - B14 - 16 - 90 - SFS - NF

**TYPE** \_\_\_\_\_

- ER - SHORT RADIUS
- EL - LONG RADIUS
- ERV - SHORT RADIUS WITH TURNING VANES
- ELV - LONG RADIUS WITH TURNING VANES

**MATERIAL** \_\_\_\_\_

- B - CARBON STEEL
- S - STAINLESS STEEL
- A - ALUMINUM

**MATERIAL GAUGE** \_\_\_\_\_

- CARBON STEEL
  - 14 GAUGE (STANDARD)
  - 12 GAUGE
- STAINLESS STEEL
  - 14 GAUGE (STANDARD)
  - 12 GAUGE
- ALUMINUM
  - 14 GAUGE (STANDARD)
  - 12 GAUGE

**DIAMETER (  $\phi$  A )** \_\_\_\_\_

- $\phi$  9" -  $\phi$  40"
- ANYTHING LESS THAN 9" DIAMETER IS PURCHASED (SPEED SPOUT)

**ANGLE** \_\_\_\_\_

- 45° - 90°

**CONNECTION TYPE ON END #1** \_\_\_\_\_

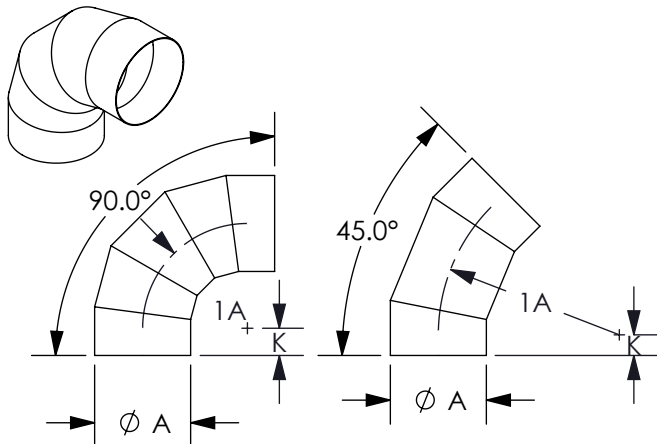
- SFS - KICE SLOTTED FLANGE
- SFA - LOOSE KICE ANGLE FLANGE
- NF - NO FLANGE
- KICE STANDARD: NO FLANGES 0" - 10", FLANGES > 10"

**CONNECTION TYPE ON END #2** \_\_\_\_\_

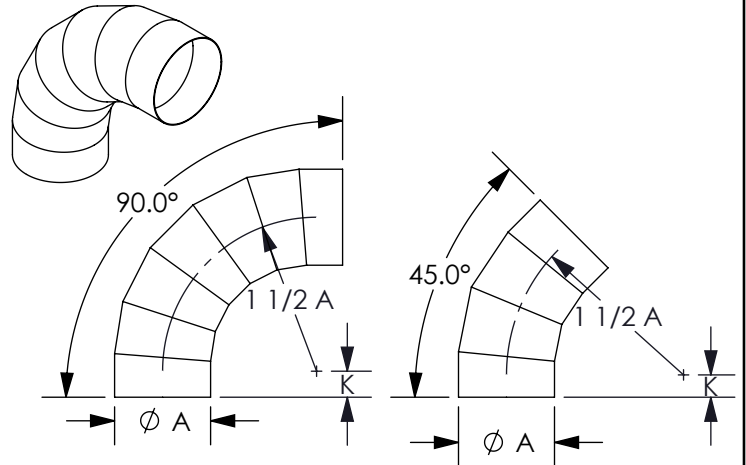
- SFS - KICE SLOTTED FLANGE
- SFA - LOOSE KICE ANGLE FLANGE
- NF - NO FLANGE
- KICE STANDARD: NO FLANGES  $\leq$  12", FLANGES  $\geq$  13"

K DIMENSIONS = 5" (WITH OR WITHOUT FLANGES)

**ER ELBOW**



**EL ELBOW**



DUST DUCT CATALOG

DESCRIPTION:



**KICE INDUSTRIES, INC.**

5500 MILL HEIGHTS DR. WICHITA, KANSAS 67219  
 PH: (316) 744-7151 FAX: (316) 744- 7355

SHEET 2 OF 11

REV 4-0

TJU

07-01-16

DUC-5001

DWN:

DATE:

DWG. NO.

# KICE DUST DUCT BRANCH FITTINGS - BS, BD, YP, YA

BS - B14 - 16SFS - 15SFS - 13SFS - 12NF

TYPE \_\_\_\_\_

- BS - SINGLE BRANCH
- BD - DOUBLE BRANCH
- YP - INLINE BRANCH
- YA - ANGLE BRANCH

MATERIAL \_\_\_\_\_

- B - CARBON STEEL
- S - STAINLESS STEEL
- A - ALUMINUM

MATERIAL GAUGE \_\_\_\_\_

- CARBON STEEL
  - 14 GAUGE (STANDARD)
  - 12 GAUGE
- STAINLESS STEEL
  - 14 GAUGE (STANDARD)
  - 12 GAUGE
- ALUMINUM
  - 14 GAUGE (STANDARD)
  - 12 GAUGE

A DIAMETER \_\_\_\_\_

Ø 3" - Ø 40"

B DIAMETER \_\_\_\_\_

Ø 3" - Ø 40"

C DIAMETER \_\_\_\_\_

Ø 3" - Ø 40"

D DIAMETER \_\_\_\_\_

Ø 9" - Ø 40"

CONNECTION TYPE ON A, B, C & D ENDS \_\_\_\_\_

- SFS - KICE SLOTTED FLANGE
- SFA - LOOSE KICE ANGLE FLANGE
- NF - NO FLANGE
- KICE STANDARD: NO FLANGES ≤ 12", FLANGES ≥ 13"
- NO VAN STONE OPTION ON BRANCH FITTINGS

DUST DUCT CATALOG

DESCRIPTION:



**KICE INDUSTRIES, INC.**

5500 MILL HEIGHTS DR. WICHITA, KANSAS 67219  
 PH: (316) 744-7151 FAX: (316) 744-7355

SHEET 3 OF 11

REV 4-0

TJU  
DWN:

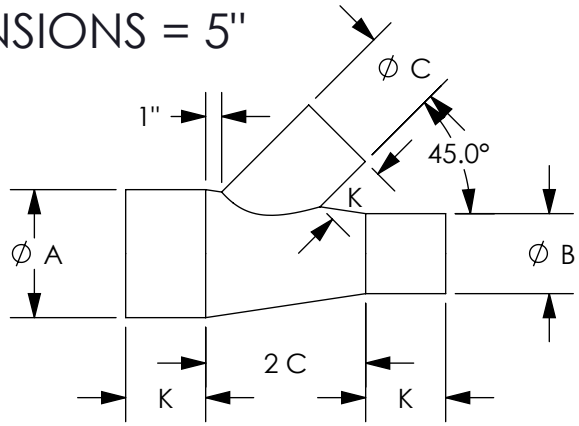
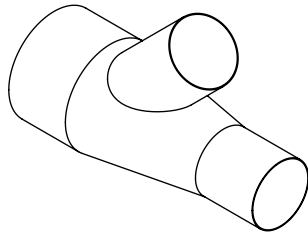
07-01-16  
DATE:

DUC-5001  
DWG. NO.

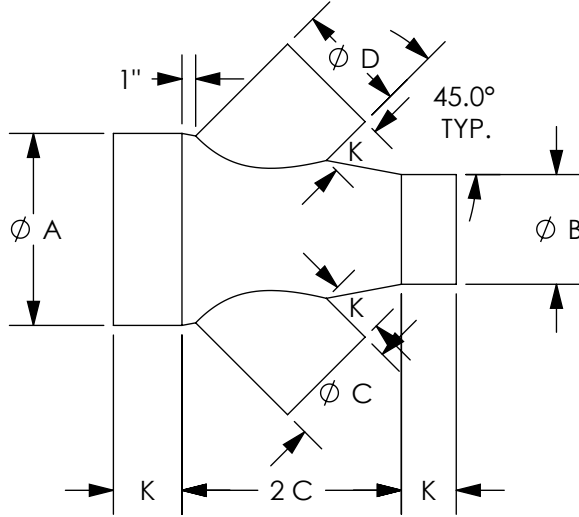
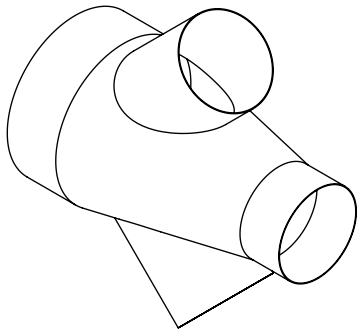
# KICE DUST DUCT BRANCH FITTINGS - BS, BD, YP, YA

K DIMENSIONS = 5"

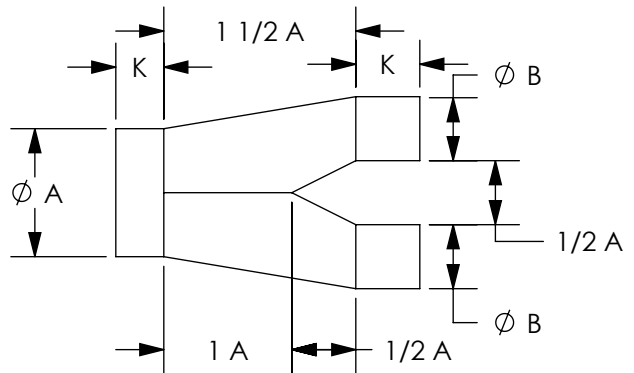
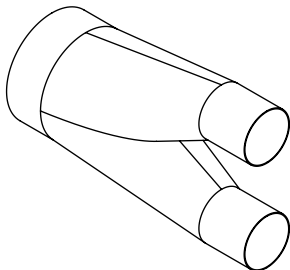
BS FITTING



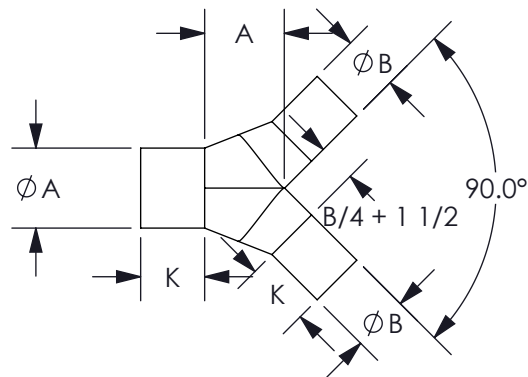
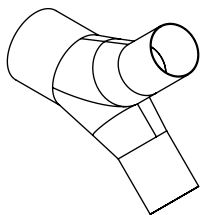
BD FITTING



YP FITTING



YA FITTING



DUST DUCT CATALOG

DESCRIPTION:



**KICE INDUSTRIES, INC.**

5500 MILL HEIGHTS DR. WICHITA, KANSAS 67219  
PH: (316) 744-7151 FAX: (316) 744-7355

SHEET 4 OF 11

TJU

DWN:

07-01-16

DATE:

REV 4-0

DUC-5001

DWG. NO.

# KICE DUST DUCT SECTION TAPER - ST

## ST - B14 - 13SFS - 15SFS

TYPE \_\_\_\_\_  
ST - REDUCER (STRAIGHT)

MATERIAL \_\_\_\_\_  
B - CARBON STEEL  
S - STAINLESS STEEL  
A - ALUMINUM

MATERIAL GAUGE \_\_\_\_\_  
CARBON STEEL  
14 GAUGE (STANDARD)  
12 GAUGE  
STAINLESS STEEL  
14 GAUGE (STANDARD)  
12 GAUGE  
ALUMINUM  
14 GAUGE (STANDARD)  
12 GAUGE

A DIAMETER \_\_\_\_\_  
 $\phi 7'' - \phi 20''$

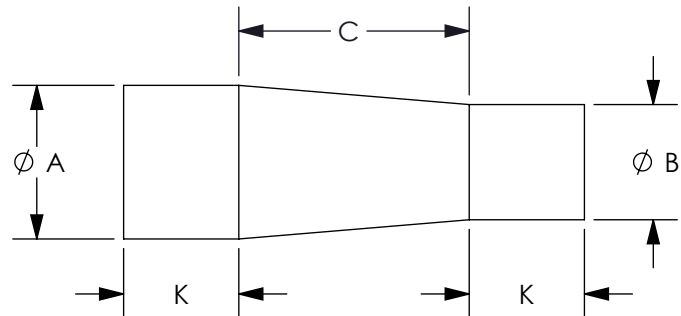
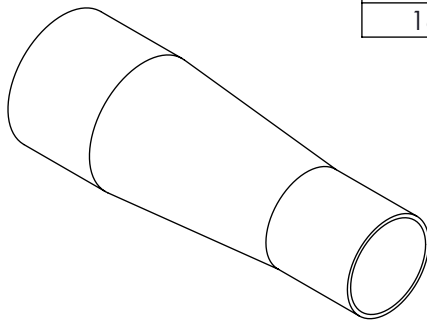
B DIAMETER \_\_\_\_\_  
 $\phi 7'' - \phi 20''$

CONNECTION TYPE ON END A & B \_\_\_\_\_  
SFS - KICE SLOTTED FLANGE  
SFA - LOOSE KICE ANGLE FLANGE  
NF - NO FLANGE  
KICE STANDARD: NO FLANGES  $\leq 12''$ , FLANGES  $\geq 13''$

K DIMENSION = 5"

ST FITTING

DIA. A	C
1 - 5"	6"
6 - 10"	12"
11 - 15"	18"
16 - 20"	24"



DUST DUCT CATALOG  
DESCRIPTION:



**KICE INDUSTRIES, INC.**

5500 MILL HEIGHTS DR. WICHITA, KANSAS 67219  
PH: (316) 744-7151 FAX: (316) 744-7355

SHEET 5 OF 11

REV 4-0

TJU  
DWN:

07-01-16  
DATE:

DUC-5001  
DWG. NO.

# KICE DUST DUCT ROUND TRANSITION - RN, RS

RN - B14 - B SFS - A - C - D

**TYPE**

- RN - CENTER DISCHARGE
- RS - OFFSET DISCHARGE

**MATERIAL**

- B - CARBON STEEL
- S - STAINLESS STEEL
- A - ALUMINUM

**MATERIAL GAUGE**

- CARBON STEEL
  - 14 GAUGE (STANDARD)
  - 12 GAUGE
- STAINLESS STEEL
  - 14 GAUGE (STANDARD)
  - 12 GAUGE
- ALUMINUM
  - 14 GAUGE (STANDARD)
  - 12 GAUGE

**DIAMETER (B)**

Ø3" - Ø40"

**CONNECTION TYPE ON END**

- SFS - KICE SLOTTED FLANGE
- SFA - LOOSE KICE ANGLE FLANGE
- NF - NO FLANGE
- KICE STANDARD: NO FLANGES ≤ 12", FLANGES ≥ 13"

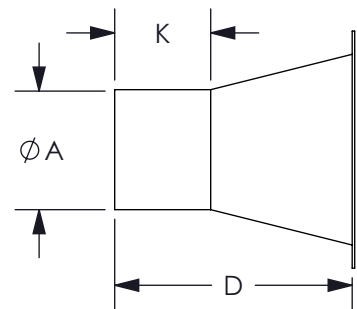
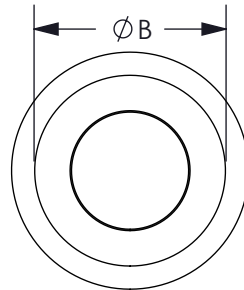
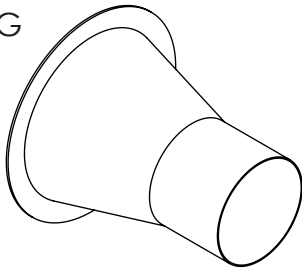
**OTHER SUPPLIED DIMENSIONS (A & C)**

**HOLE (D)**

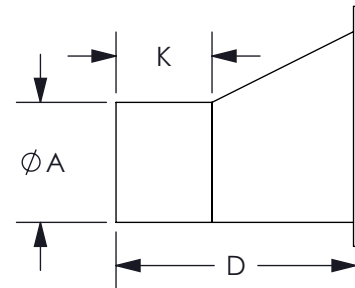
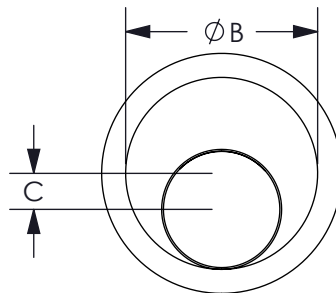
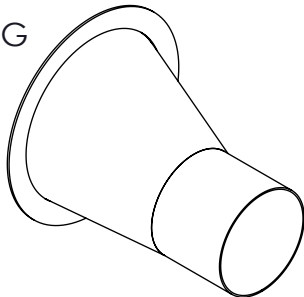
- SH - STANDARD HOLE
- NH - NO HOLE
- AP - AIRLOCK HOLE PATTERN

K DIMENSION = 5"

RN FITTING



RS FITTING



DUST DUCT CATALOG  
DESCRIPTION:



**KICE INDUSTRIES, INC.**

5500 MILL HEIGHTS DR. WICHITA, KANSAS 67219  
PH: (316) 744-7151 FAX: (316) 744-7355

SHEET 6 OF 11

REV 4-0

TJU

07-01-16

DUC-5001

DWN:

DATE:

DWG. NO.

# KICE DUST DUCT TRANSITION - TN, TS, TC

TN - B14 - A SFS - B - C - D - E

**TYPE**

- TC - CORNER OFFSET DISCHARGE
- TN - CENTER DISCHARGE
- TS - OFFSET DISCHARGE

**MATERIAL**

- B - CARBON STEEL
- S - STAINLESS STEEL
- A - ALUMINUM

**MATERIAL GAUGE**

- CARBON STEEL
  - 14 GAUGE (STANDARD)
  - 12 GAUGE
- STAINLESS STEEL
  - 14 GAUGE (STANDARD)
  - 12 GAUGE
- ALUMINUM
  - 14 GAUGE (STANDARD)
  - 12 GAUGE

**DIAMETER (A)**

Ø3" - Ø40"

**CONNECTION TYPE ON END**

- SFS - KICE SLOTTED FLANGE
- SFA - LOOSE KICE ANGLE FLANGE
- NF - NO FLANGE
- KICE STANDARD: NO FLANGES ≤ 12", FLANGES ≥ 13"

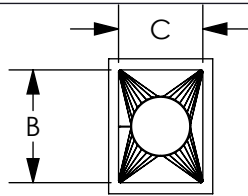
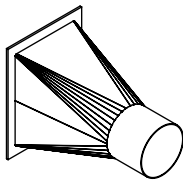
**OTHER SUPPLIED DIMENSIONS (B, C, & D)**

**HOLE (E)**

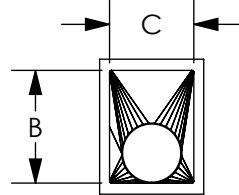
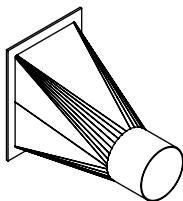
- SH - STANDARD HOLE (6" SPACING)
- NH - NO HOLE
- AP - AIRLOCK HOLE PATTERN

K DIMENSION = 5"

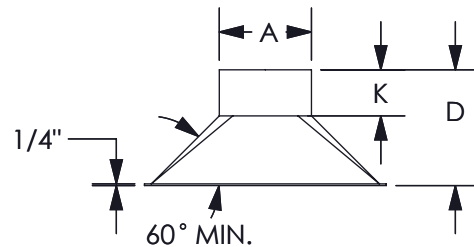
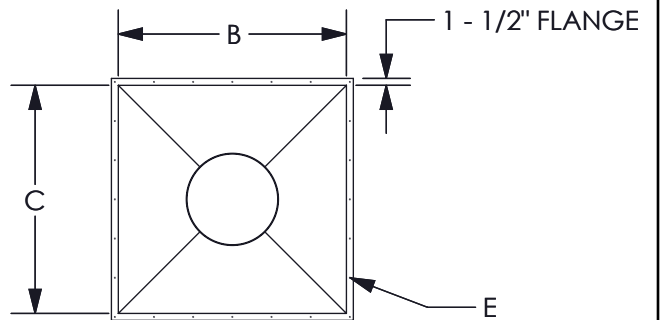
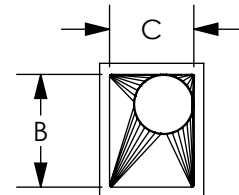
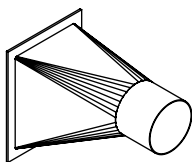
**TN FITTING**



**TS FITTING**



**TC FITTING**



DUST DUCT CATALOG

DESCRIPTION:



**KICE INDUSTRIES, INC.**

5500 MILL HEIGHTS DR. WICHITA, KANSAS 67219  
PH: (316) 744-7151 FAX: (316) 744-7355

SHEET 7 OF 11

REV 4-0

TJU  
DWN:

07-01-16  
DATE:

DUC-5001  
DWG. NO.

# KICE DUST DUCT STRAIGHT SECTION - SS

## SS - B14 - 12 - 60 - SFS - SFA

**TYPE** \_\_\_\_\_

SS - STRAIGHT SECTION

**MATERIAL** \_\_\_\_\_

B - CARBON STEEL  
S - STAINLESS STEEL  
A - ALUMINUM

**MATERIAL GAUGE** \_\_\_\_\_

CARBON STEEL  
14 GAUGE (STANDARD)  
12 GAUGE  
STAINLESS STEEL  
14 GAUGE (STANDARD)  
12 GAUGE  
ALUMINUM  
14 GAUGE (STANDARD)  
12 GAUGE

**DIAMETER (  $\phi$  A )** \_\_\_\_\_

$\phi$  9",  $\phi$  11",  $\phi$  13 - 40"  
REFER TO THE PRICE BOOK FOR OTHER DIAMETERS  
NOTE:  $\phi$  10" AND  $\phi$  12" PURCHASED TUBING USES PART NUMBER  
FORMAT LISTED ABOVE.  $\phi$  0 - 8" PURCHASED SPEED SPOUT  
TUBING USES PURCHASE PART NUMBER

**LENGTH ( B )** \_\_\_\_\_

$\phi$  9",  $\geq \phi$  11" - 120" LENGTH  
 $\phi$  9",  $\geq \phi$  11" - 60" LENGTH  
>  $\phi$  40" - 60" LENGTH  
NOTE: 10" AND 12" PURCHASED TUBING USES THE PART NUMBER FORMAT  
LISTED ABOVE. 0 - 8" PURCHASED SPEED SPOUT TUBING USES  
NUMBER (20' LENGTH DEFAULT) IF LENGTH IS LESS THAN 20', SPECIFY  
LENGTH IN INCHES (ex. TUBERD14x5x27.75" CS)

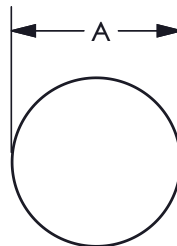
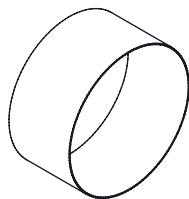
**CONNECTION TYPE ON END #1** \_\_\_\_\_

SFS - KICE SLOTTED FLANGE  
SFA - LOOSE KICE ANGLE FLANGE  
NF - NO FLANGE  
KICE STANDARD: NO FLANGES 0" - 10", FLANGES > 10"

**CONNECTION TYPE ON END #2** \_\_\_\_\_

SFS - KICE SLOTTED FLANGE  
SFA - LOOSE KICE ANGLE FLANGE  
NF - NO FLANGE  
KICE STANDARD: NO FLANGES 0" - 10", FLANGES > 10"

**SS FITTING**



DUST DUCT CATALOG  DESCRIPTION:		<b>KICE INDUSTRIES, INC.</b> 5500 MILL HEIGHTS DR. WICHITA, KANSAS 67219 PH: (316) 744-7151 FAX: (316) 744- 7355		SHEET 8 OF 11	REV 4-0
		TJU DWN:	07-01-16 DATE:	DUC-5001 DWG. NO.	



# KICE DUST DUCT SUPPORT RING - CR

**CR - B - 8 - C**

TYPE \_\_\_\_\_  
 CR - SUPPORT RING

MATERIAL \_\_\_\_\_  
 B - CARBON STEEL  
 S - STAINLESS STEEL  
 A - ALUMINUM

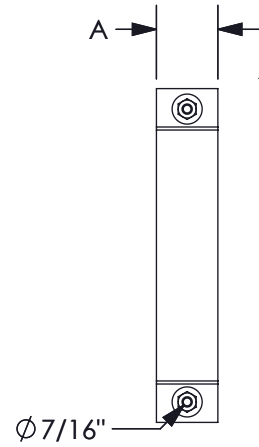
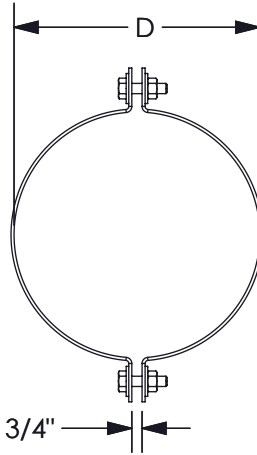
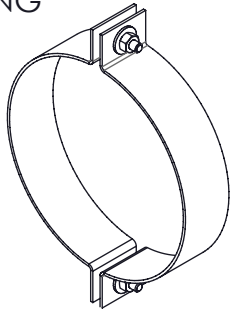
DIAMETER ( $\phi D$ ) \_\_\_\_\_  
 $\phi 7'' - 25''$

COUPLING NUT INTERNAL USE ONLY \_\_\_\_\_  
 $3/8'' - 16 \times 1-3/4''$  LENGTH

GEN NOTES:  
 MATERIAL CONSTRUCTION 7 GAUGE

DIA.	A
3" - 12"	1.25"
13" - 24"	1.5"
25" - 36"	2"
>37"	3"

CR FITTING



# KICE DUST DUCT FREE AIR INLET & CAP - CI, CP

**CI - B - 12NF**

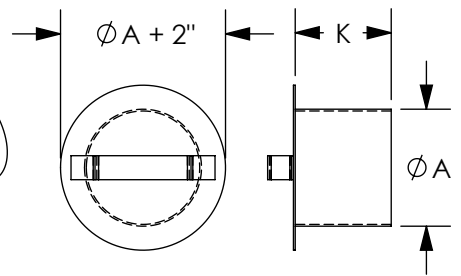
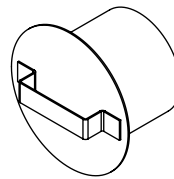
TYPE \_\_\_\_\_  
 CI - FREE AIR INLET  
 CP - CAP

MATERIAL \_\_\_\_\_  
 B - CARBON STEEL  
 S - STAINLESS STEEL  
 A - ALUMINUM

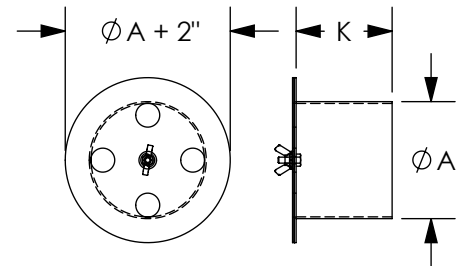
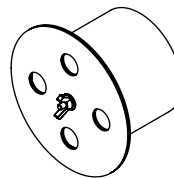
DIAMETER ( $\phi A$ ) \_\_\_\_\_  
 $\phi 6'' - 20''$

CONNECTION TYPE ON END \_\_\_\_\_  
 SFS - KICE SLOTTED FLANGE  
 SFA - LOOSE KICE ANGLE FLANGE  
 NF - NO FLANGE  
 KICE STANDARD: NO FLANGES  $\leq 12''$ , FLANGES  $\geq 13''$

CP FITTING



CI FITTING



# KICE DUST DUCT ADAPTER - SA

## SA - B14 - 12SFS

TYPE \_\_\_\_\_  
SA - STRAIGHT SECTION ADAPTER

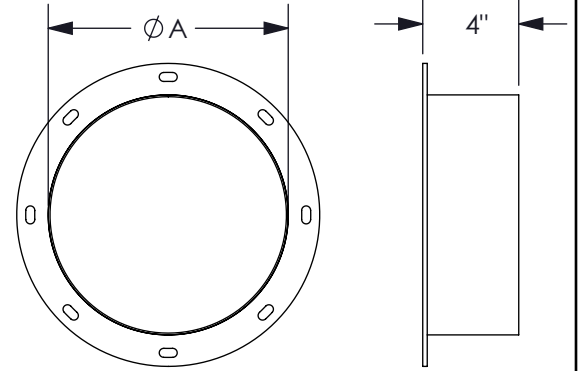
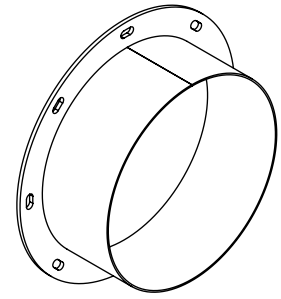
MATERIAL \_\_\_\_\_  
B - CARBON STEEL  
S - STAINLESS STEEL  
A - ALUMINUM

MATERIAL GAUGE \_\_\_\_\_  
CARBON STEEL  
14 GAUGE (STANDARD)  
12 GAUGE  
STAINLESS STEEL  
14 GAUGE (STANDARD)  
12 GAUGE  
ALUMINUM  
14 GAUGE (STANDARD)  
12 GAUGE

DIAMETER ( $\phi A$ ) \_\_\_\_\_  
>  $\phi 10"$

CONNECTION TYPE ON END \_\_\_\_\_  
SFS - KICE SLOTTED FLANGE  
KICE STANDARD: NO FLANGES 0" - 10", FLANGES > 10"

SA FITTING



SEE FLANGE SPECIFICATION TABLES

# KICE DUST DUCT COUPLING - CC

## CC - B - 11

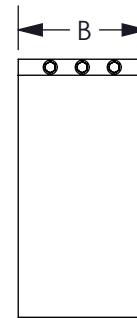
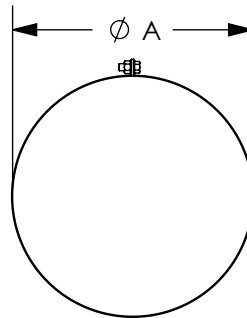
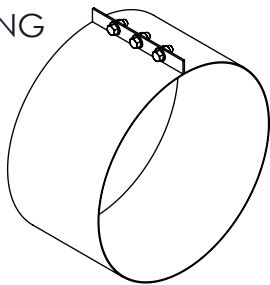
TYPE \_\_\_\_\_  
CC - COUPLING

MATERIAL \_\_\_\_\_  
B - CARBON STEEL  
S - STAINLESS STEEL

DIAMETER ( $\phi A$ ) \_\_\_\_\_  
 $\phi 13" - 39"$

LENGTH (B) \_\_\_\_\_  
9.5" (STANDARD FOR  $\phi \geq 13"$ )

CC FITTING



DUST DUCT CATALOG

DESCRIPTION:



**KICE INDUSTRIES, INC.**

5500 MILL HEIGHTS DR. WICHITA, KANSAS 67219  
PH: (316) 744-7151 FAX: (316) 744-7355

SHEET 10 OF 11

REV 4-0

TJU  
DWN:

07-01-16  
DATE:

DUC-5001  
DWG. NO.

# KICE DUST DUCT INSPECTION DOOR - CD

CD - B - 11

TYPE \_\_\_\_\_  
 CD - DOOR (DOOR ONLY, NO TUBE SECTION)

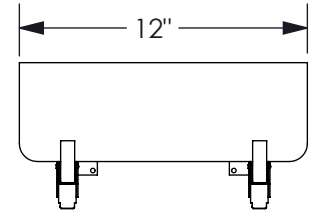
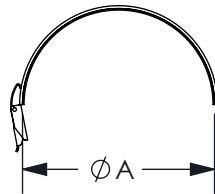
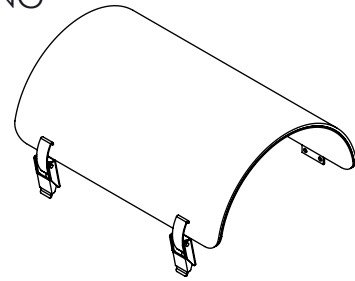
MATERIAL \_\_\_\_\_  
 B - CARBON STEEL (14 GA.)  
 S - STAINLESS STEEL (14 GA.)  
 A - ALUMINUM (14 GA.)

DIAMETER ( $\phi A$ ) \_\_\_\_\_  
 $\phi 3'' - 20''$

GEN NOTES:

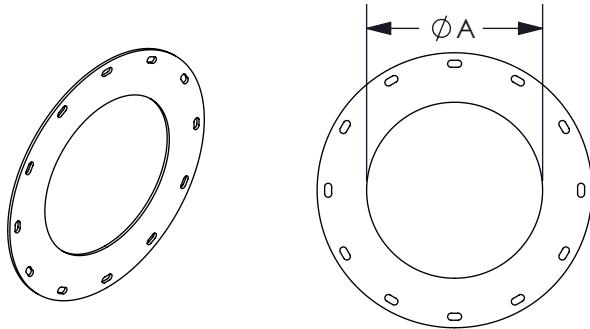
1. MATERIAL CONSTRUCTION 14 GAUGE
2. INCLUDES FOOD GRADE RATED GASKET.

CD FITTING

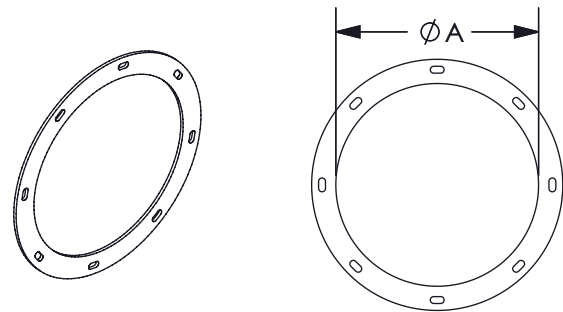


## KICE 'NON-CONFIGURED' DUST DUCT ITEMS

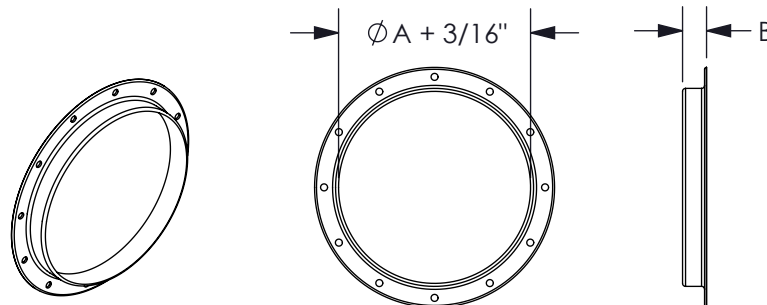
SFSI - FLAT FLANGE



SFS - SLOTTED HOLE FLANGE



SFA - ANGLE RING FLANGE



DUST DUCT CATALOG

DESCRIPTION:



**KICE INDUSTRIES, INC.**

5500 MILL HEIGHTS DR. WICHITA, KANSAS 67219  
 PH: (316) 744-7151 FAX: (316) 744-7355

SHEET 11 OF 11

REV 4-0

TJU  
 DWN:

07-01-16  
 DATE:

DUC-5001  
 DWG. NO.