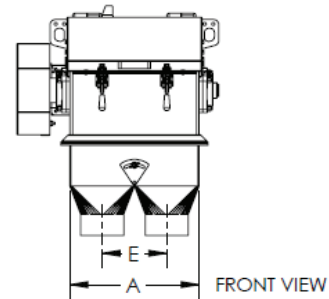
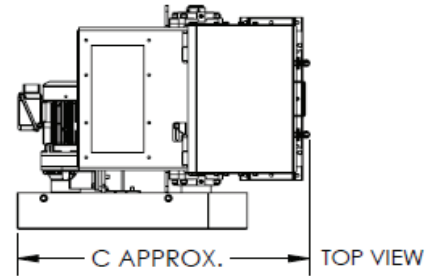
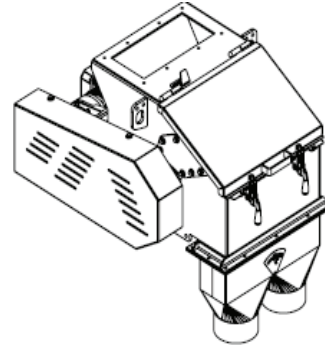
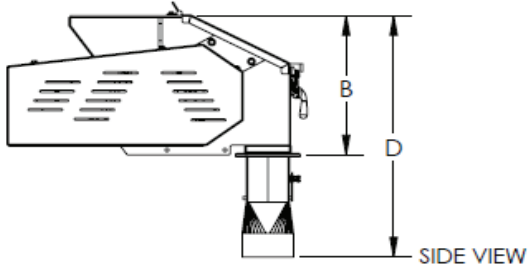




# ROTARY STREAM SPLITTERS

KICE INDUSTRIES, INC. / 5500 Mill Heights Drive / Wichita, KS 67219

www.kice.com / sales@kice.com



MODEL	LINE SIZE	NO. OF SPLITS	A	B	C	D	E	APPROX WEIGHT
RST12-12-4-2	4	2	12	17-3/4	34-7/8	30-3/4	6	310
RST12-12-5-2	5		12				6	310
RST12-18-6-2	6	3	18	17-3/4	34-7/8	30-3/4	9	280
RST12-18-4-3	4		18				6	280
RST12-18-5-3	5	18	6	280				
RST12-24-6-3	6	24	8	310				
RST12-24-4-4	4	4	24	17-3/4	34-7/8	30-3/4	6	320
RST12-24-5-4	5		24				6	320
RST12-30-6-4	6	30	7-1/2	360				
RST12-30-4-5	4	5	30	17-3/4	34-7/8	30-3/4	6	360
RST12-30-5-5	5		30				6	360
RST12-36-6-5	6	36	7-1/8	400				
RST12-30-4-6	4	6	30	17-3/4	34-7/8	30-3/4	5	360
RST12-36-5-6	5		36				6	400
RST12-42-6-6	6	42	7	540				
RST12-36-4-7	4	7	36	17-3/4	34-7/8	30-3/4	5-1/8	410
RST12-42-5-7	5		42				6	540
RST12-54-6-7	6	54	7-5/8	610				
RST12-72-8-7	8	72	10-1/4	730				
RST12-42-4-8	4	8	42	17-3/4	34-7/8	30-3/4	5-1/4	540
RST12-48-5-8	5		48				6	580
RST12-60-6-8	6	60	7-1/2	660				
RST18-18-8-2	8	2	18	26	42	39	9	500
RST18-30-8-3		3	30	26	42	39	10	700
RST18-36-8-5		4	36	26	42	39	9	750
RST18-48-8-5		5	48	26	42	39	9-5/8	850
RST18-54-8-6		6	54	26	42	39	9	1000
RST18-72-8-8		8	72	26	42	39	9	1100

**NOTES:**

STANDARD RECTANGULAR INLET UNLESS OTHERWISE SPECIFIED

INLET BOLT HOLE PATTERN AND OUTLET FLANGE PATTERN AVAILABLE UPON REQUEST

DIMENSIONS SHOWN ARE ESTIMATES

DETAILED APPROVAL DRAWINGS AVAILABLE UPON REQUEST