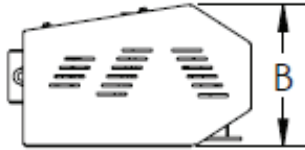




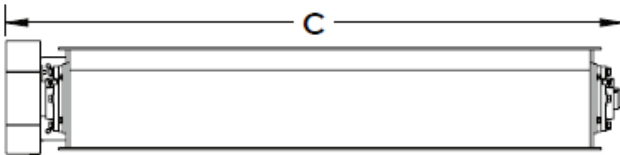
KICE INDUSTRIES, INC. / 5500 Mill Heights Drive / Wichita, KS 67219

www.kice.com / sales@kice.com

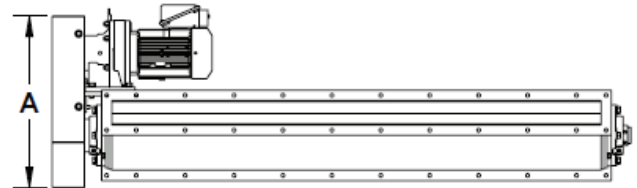
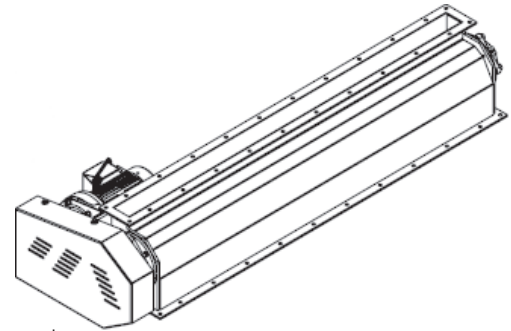
OFFSET VANE FEEDER



SIDE VIEW



FRONT VIEW



TOP VIEW

MODEL #	CU. FT/ REV	A	B	C	EST WEIGHT (lb)
FRO6-6	0.07	21"	13 1/8"	17"	211
FRO6-12	0.13			23"	233
FRO6-18	0.2			29"	255
FRO6-24	0.26			35"	277
FRO6-30	0.33			41"	299
FRO6-36	0.39			47"	321
FRO6-42	0.46			53"	343
FRO6-48	0.52			59"	365
FRO6-54	0.59			65"	387
FRO6-60	0.65			71"	409
FRO6-66	0.72			77"	431
FRO6-72	0.78			83"	453
FRO6-78	0.85			89"	475
FRO6-84	0.91			95"	497
FRO6-90	0.98			101"	519
FRO6-96	1.04			107"	541
FRO6-102	1.11			113"	563
FRO6-108	1.17			119"	585
FRO6-114	1.24			125"	607
FRO6-120	1.3			131"	629
FRO6-126	1.37	137"	651		
FRO6-132	1.43	143"	673		
FRO6-138	1.5	149"	695		

MODEL #	CU. FT/ REV	A	B	C	EST WEIGHT (lb)
FRO10-12	0.46	25 5/8"	15 3/4"	23"	261
FRO10-18	0.69			29"	294
FRO10-24	0.92			35"	327
FRO10-30	1.15			41"	360
FRO10-36	1.38			47"	393
FRO10-42	1.61			53"	426
FRO10-48	1.84			59"	459
FRO10-54	2.07			65"	492
FRO10-60	2.3			71"	525
FRO10-66	2.53			77"	558
FRO10-72	2.76			83"	591
FRO10-78	2.99			89"	624
FRO10-84	3.22			95"	657
FRO10-90	3.45			101"	690
FRO10-96	3.68			107"	723
FRO10-102	3.91			113"	756
FRO10-108	4.14			119"	789
FRO10-114	4.37			125"	822
FRO10-120	4.6			131"	855
FRO10-126	4.83			137"	888
FRO10-132	5.06	143"	921		
FRO10-138	5.29	149"	954		

NOTES:

DIMENSIONS SHOWN ARE ESTIMATES

DETAILED APPROVAL DRAWINGS
AVAILABLE UPON REQUEST