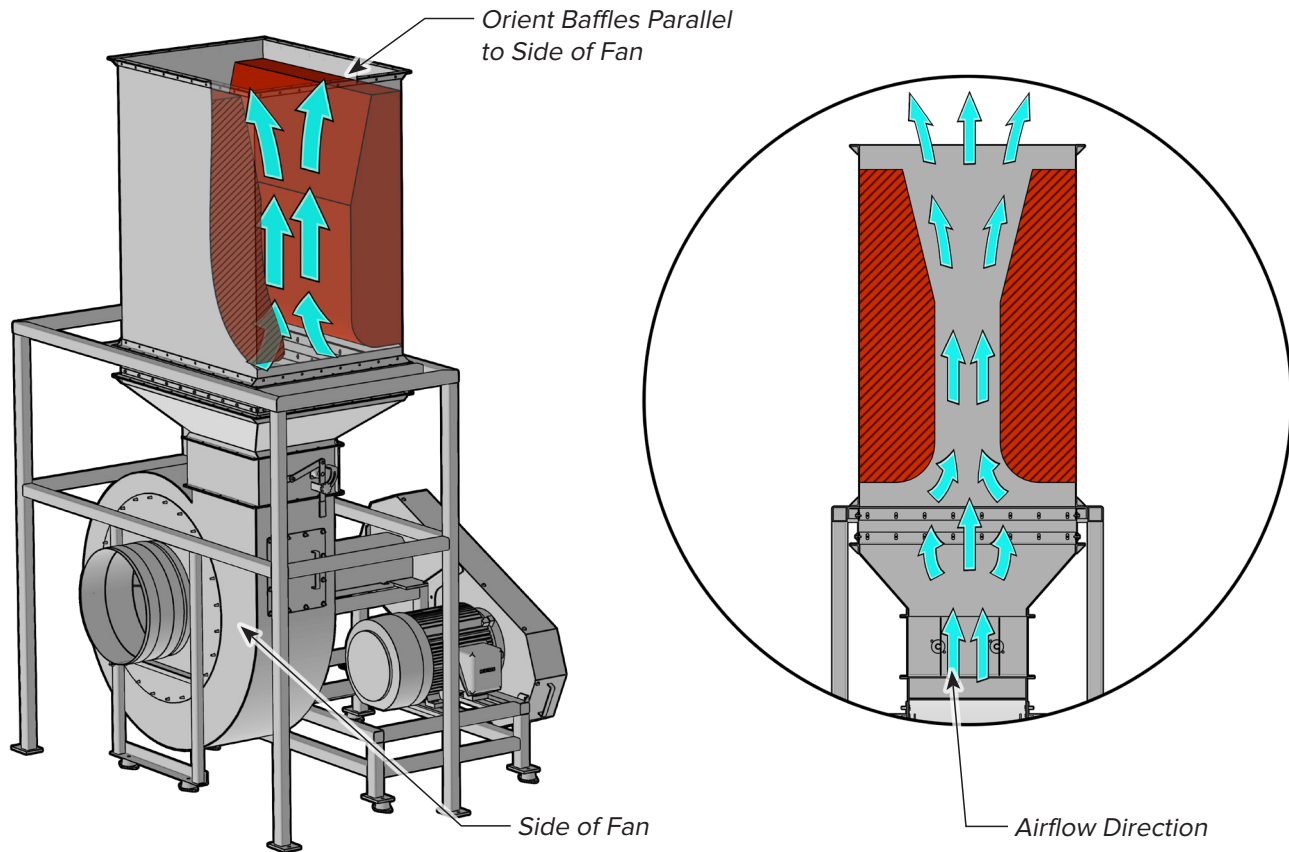




**WARNING** – Reference the equipment manual and necessary safety information prior to installing or performing maintenance on any equipment.



When installing the fan silencer it is important to note the direction of the air flow and orientation of the acoustic baffles relative to the fan housing. The air should flow through the smooth, rounded end of the baffles and out the wider, angled end of the baffle. The baffles should also be oriented to be parallel with the sides of the fan housing.



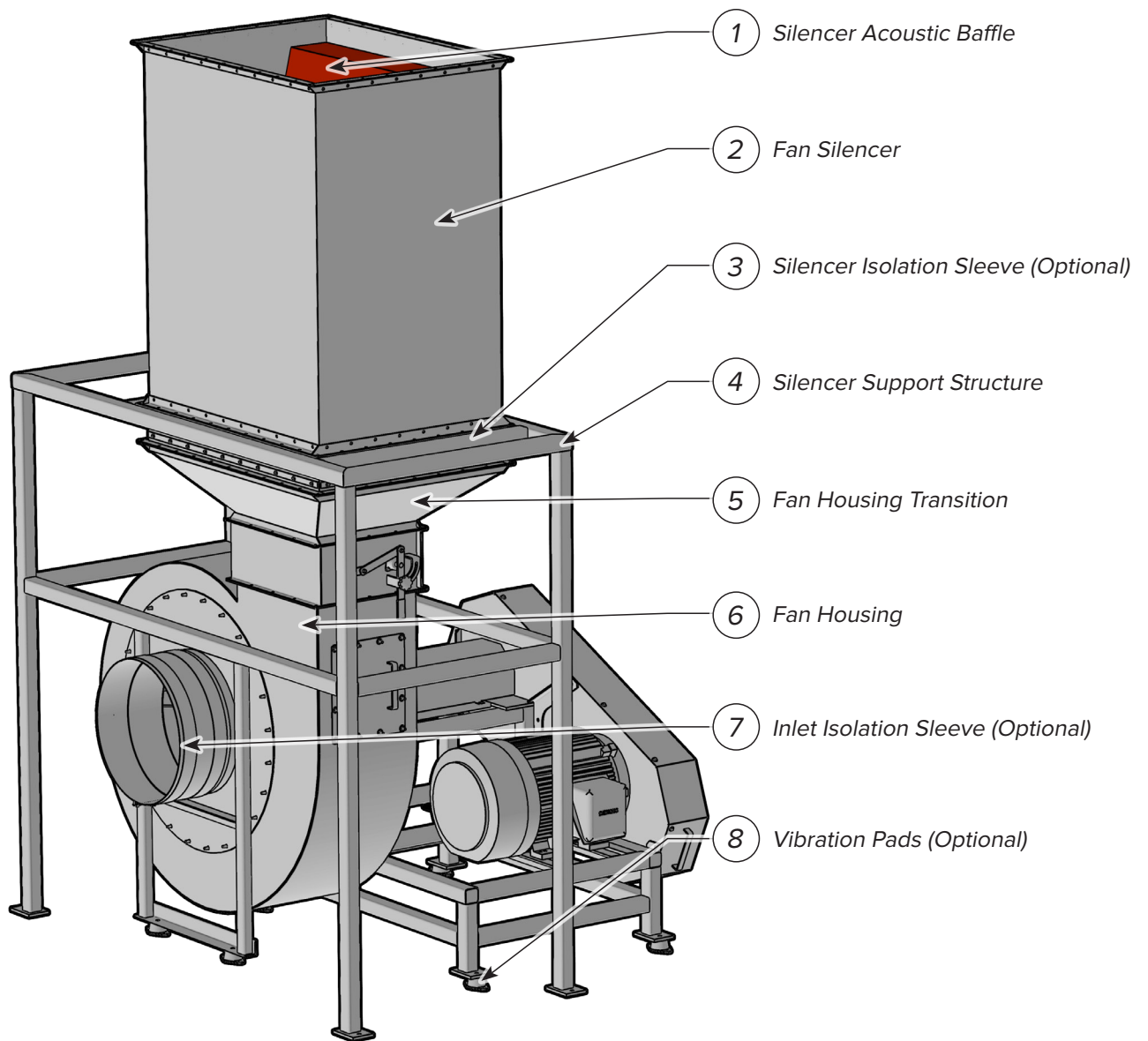
**WARNING** – If the silencer is installed with the air flow going in the wrong direction or the baffles are not oriented properly with the fan housing the silencer may be damaged during operation.

The silencer should be supported independently from the fan housing – reference item 4.

The silencer is not intended to support ductwork. Consult with Kice if additional ductwork is connected to silencer.

If the fan base is installed with vibration pads (item 8), then an isolation sleeve (item 3) should be installed between the fan housing transition (item 5) and the fan silencer (item 2), and on the fan inlet (item 7).

## FAN SILENCER INSTALLATION CONTINUED



For questions or additional assistance, please contact the Customer Service or Quick Ship Department.

**Kice Industries, Inc.**  
5500 Mill Heights Drive  
Park City, KS 67219-2358  
Toll Free: 877-289-5432  
Main Phone: 316-744-7151