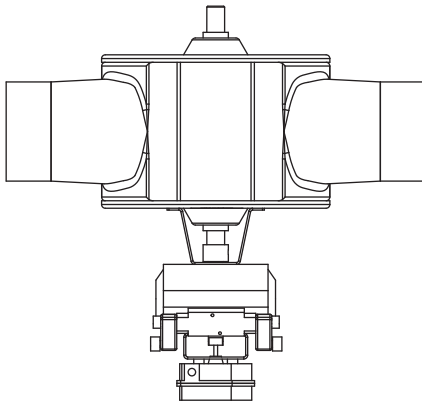


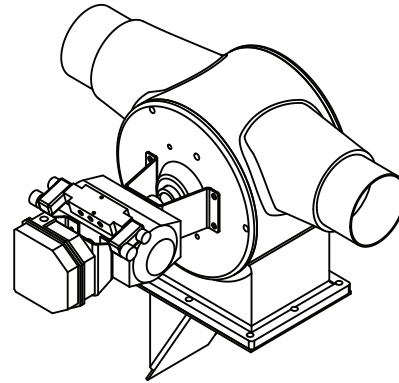


68Q BIN FILL VALVES

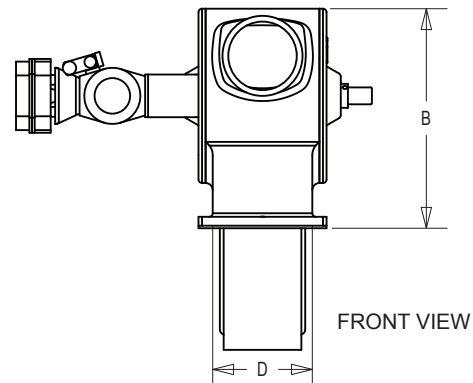
KICE INDUSTRIES, INC. / 5500 Mill Heights Drive / Park City, KS 67219 www.kice.com / sales@kice.com



TOP VIEW



| MODEL # | A | B | C | D | E |
|---------|----|--------|-------|-------|--------|
| 68Q2 | 22 | 12 1/8 | 2 | 5 | 6 9/16 |
| 68Q2.5 | 22 | 12 1/8 | 2 1/2 | 5 | 6 9/16 |
| 68Q3 | 22 | 12 1/8 | 3 | 5 | 6 9/16 |
| 68Q4 | 22 | 12 1/8 | 4 | 5 | 6 9/16 |
| 68Q5 | 26 | 14 1/8 | 5 | 6 | 9 |
| 68Q6 | 28 | 16 5/8 | 6 | 7 | 10 |
| 68Q8 | 44 | 18 1/8 | 8 | 9 5/8 | 11 3/4 |



FRONT VIEW

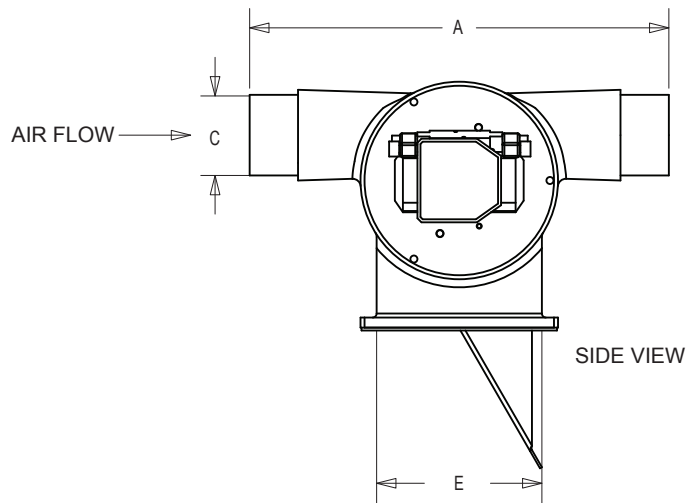
NOTES:

DIMENSIONS SHOWN ARE ESTIMATES

IF LINE SIZES ARE INCREASED BY 1/2" INCREMENTS, BODY DIMENSIONS REMAIN THE SAME

CAST IRON CONSTRUCTION

AIR OPERATED CONTROLS ARE SHOWN. MANUAL CONTROLS OR ELECTRIC ACTUATORS ARE AVAILABLE



SIDE VIEW