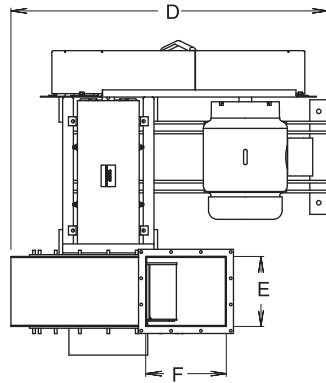


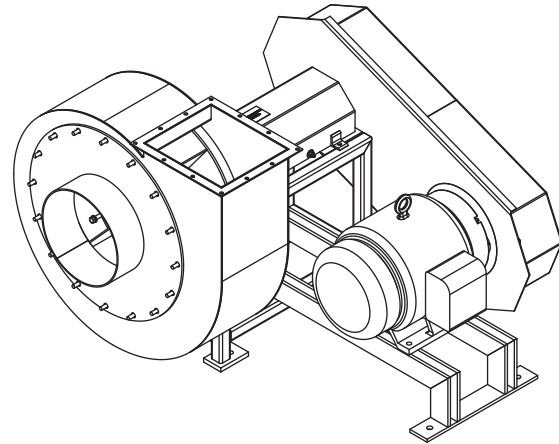


FC Arr9FB FANS

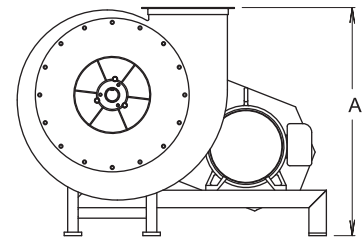
KICE INDUSTRIES, INC. / 5500 Mill Heights Drive / Park City, KS 67219 www.kice.com / sales@kice.com



TOP VIEW



MODEL #	A	B	C	D	E	F	EST. WEIGHT
FC - 5	20 1/2	14 1/4	27 11/16	31 3/4	4 1/2	5 1/4	230
FC - 7	22 1/2	14 1/4	32 15/16	31 1/4	6 5/8	7 1/4	269
FC - 9	27 1/2	17	38 1/4	35 1/2	8 1/2	9 3/8	431
FC - 11	32 5/8	20 1/8	42 1/2	44 1/4	9 3/4	11 1/4	580
FC - 13	35 7/8	20 7/8	48	51 3/8	11 1/4	13	742
FC - 15	40 7/8	23 7/8	51 3/4	56 13/16	13	14 7/8	945
FC - 17	46 5/8	27 5/8	55 7/8	61 3/8	15 1/8	17 1/8	1225
FC - 19	51 1/8	30 1/8	59 3/8	63 13/16	16 5/8	18 7/8	1841
FC - 21	56 1/8	32 5/8	64 7/8	72 5/16	18 1/8	20 3/4	1841
FC - 23	62 1/8	36 1/8	71 1/2	72 13/16	19 3/4	22 7/8	2049
FC - 26	71 1/8	41 7/8	73 1/2	85 1/16	21 1/2	25 1/4	2696
FC - 29	77 7/8	45 3/8	77	90 13/16	25	28 5/8	3103



FRONT VIEW

NOTES:

DIMENSIONS SHOWN MAY DEPENDING ON JOB REQUIREMENTS

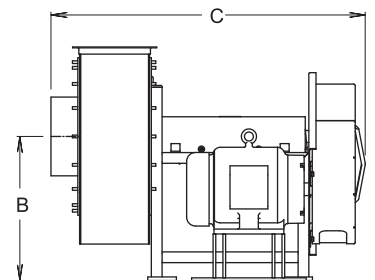
MATERIALS OF CONSTRUCTION PER SPECIFIC JOB

FOOTPRINT UPON REQUEST

MOTOR SIZE PER SPECIFIC JOB

STANDARD ORIENTATION SHOWN, MOTOR LEFT, CW ROTATION, VERTICAL UP DISCHARGE

MOTOR POSITION, DISCHARGE DIRECTION AND HOUSING ROTATION MAY VARY PER SPECIFIC JOB REQUIREMENTS



SIDE VIEW