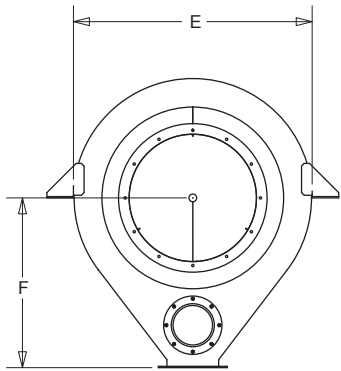


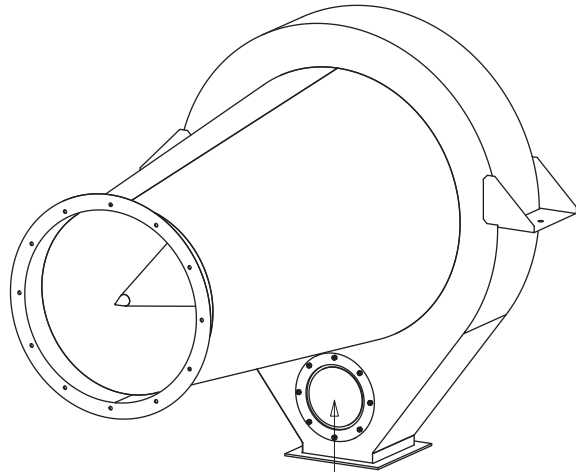


HORIZONTAL SEPARATORS

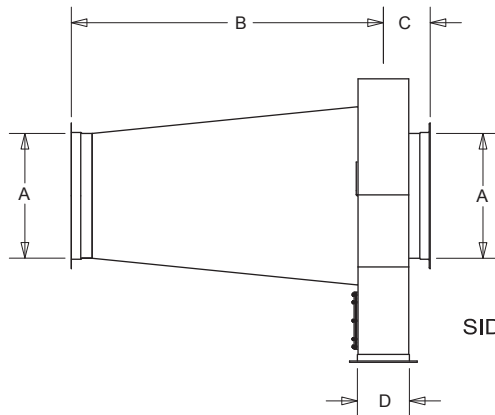
KICE INDUSTRIES, INC. / 5500 Mill Heights Drive / Park City, KS 67219 www.kice.com / sales@kice.com



FRONT VIEW



PORTHOLE SIGHTGLASS



SIDE VIEW

NOTES:
 DIMENSIONS SHOWN MAY VARY
 DEPENDING ON JOB
 REQUIREMENTS
 FLANGES SHOWN ARE OPTIONAL

MODEL #	CFM RANGE	A	B	C	D	E	F
HS 6	500 - 950	6	19	7	8	11 1/4	8 3/8
HS 8	950 - 1500	8	23	7	8	15	11
HS 10	2100 - 2900	10	26	7	8	18 3/4	13 3/8
HS 12	2100 - 2900	12	31	7	8	22 1/2	16 1/4
HS 14	2900 - 3800	14	35	7	8	26 1/4	18 7/8
HS 16	3800 - 5000	16	39	7	8	30	21 1/2
HS 18	4800 - 6900	18	42	8	8	33 3/4	24 1/8
HS 20	5900 - 8500	20	46	8	8	37 1/2	26 3/4
HS 22	7100 - 10500	22	51	9	10	41	29 1/2
HS 24	8500 - 12500	24	56	9	10	45	32
HS 26	10000 - 14500	26	59 1/2	9	10	49	35
HS 28	11500 - 16900	28	65	10	12	53	37 3/4
HS 30	13100 - 19300	30	69	12	12	56	40
HS 32	15100 - 22200	32	73	12	12	60	42 1/2
HS 34	17000 - 25000	34	78 1/2	13	14	64	45 1/2
HS 36	19100 - 28000	36	82 1/2	13	14	68	48
HS 38	21300 - 31300	38	87	13	14	71	50 1/2