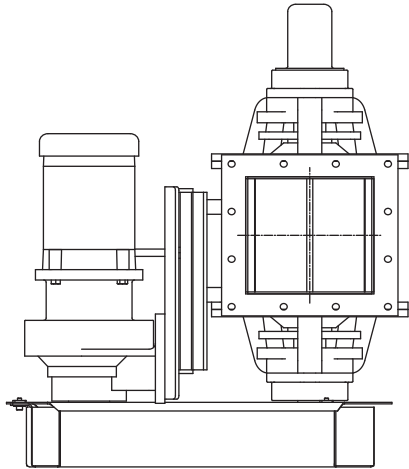


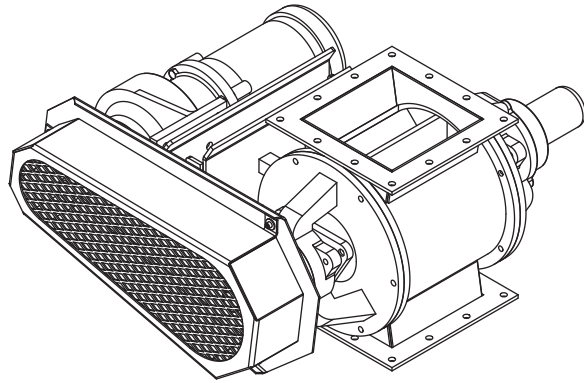


VBOT SQUARE AIRLOCKS

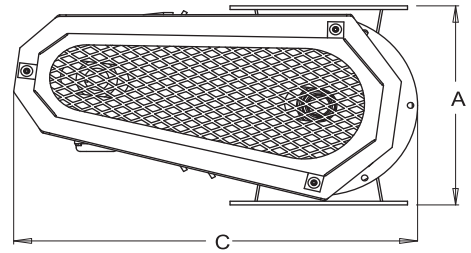
KICE INDUSTRIES, INC. / 5500 Mill Heights Drive / Park City, KS 67219 www.kice.com / sales@kice.com



TOP VIEW



MODEL #	CU. FT / REV	A	B	C	EST. WEIGHT
VBOT 8X6X6	0.16	13 1/2	29 4/7	22 15/16	262
VBOT 10X8X8	0.33	13 1/2	31 5/8	25 1/16	303
VBOT 12X8X8	0.55	17	31 5/8	26 9/16	348
VBOT 14X10X10	0.67	18 3/4	33 9/16	28 1/16	439
VBOT 16X12X12	1.10	20 5/8	35 9/16	33 3/16	522
VBOT 18X12X12	1.45	22 15/16	35 9/16	34 3/16	616
VBOT 18X14X14	1.67	22 3/4	37 9/16	34 3/16	641
VBOT 20X15X15	2.30	25 1/16	37 3/4	35 13/16	716
VBOT 24X15X15	3.20	28 3/4	38 1/4	38	852



FRONT VIEW

NOTES:

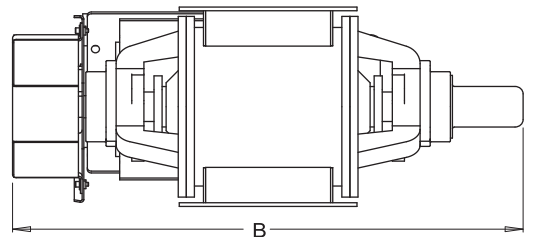
DIMENSIONS SHOWN MAY VARY DEPENDING ON JOB REQUIREMENTS

OPTIONAL GEARMOTOR, DRIVES AND GUARD SHOWN

FABRICATED VALVE TYPICALLY OF STAINLESS STEEL

REFERENECE KICE DATA SHEET DWG# RAV 1008 FOR FLANGE PATTERNS

SQUARE INLET AND OUTLET



SIDE VIEW