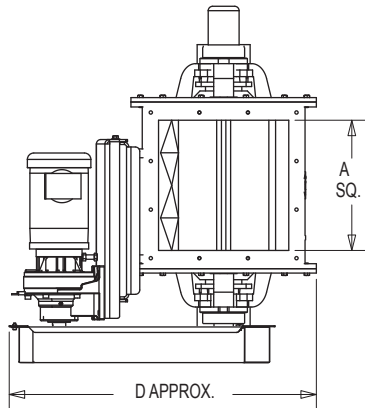


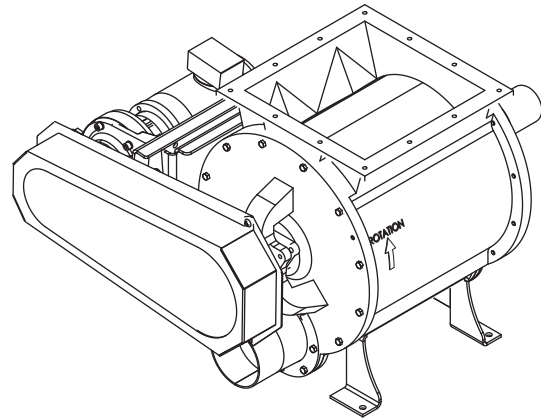


VPOT SQUARE AIRLOCKS

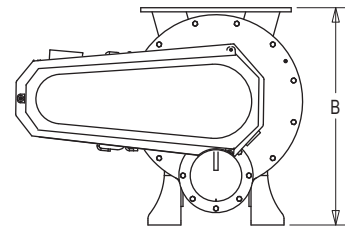
KICE INDUSTRIES, INC. / 5500 Mill Heights Drive / Park City, KS 67219 www.kice.com / sales@kice.com



TOP VIEW



MODEL #	CU. FT / REV	A	B	C	D	E
VPOT 10X8X8	0.35	7 3/4	16 3/8	31 7/8	27 3/4	3
VPOT 14X10X10	0.81	9 3/4	21 1/2	33 7/8	29 3/4	4
VPOT 16X15X15	1.36	14 3/4	24 3/8	35 9/16	34 3/4	5
VPOT 18X15X15	1.93	14 3/4	26 3/8	38 9/16	34 3/4	6
VPOT 24X18X18	4.27	17 3/4	34 1/4	41 3/8	37 3/4	8



FRONT VIEW

NOTES:

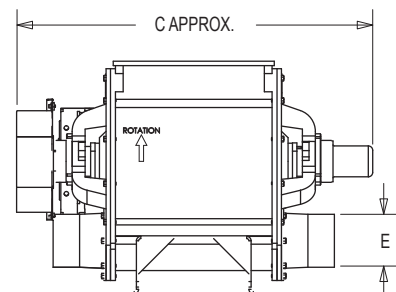
DIMENSIONS SHOWN MAY VARY DEPENDING ON JOB REQUIREMENTS

OPTIONAL GEARMOTOR, DRIVES AND GUARD SHOWN

STANDARD CAST IRON CONSTRUCTION

REFERENCE KICE DATA SHEET DWG# RAV 1008 FOR FLANGE PATTERNS

SQUARE INLET AND OUTLET



SIDE VIEW