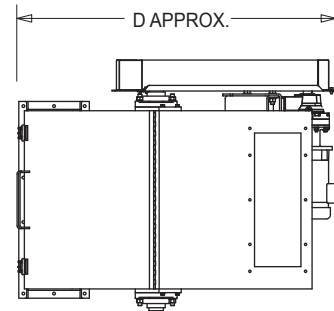
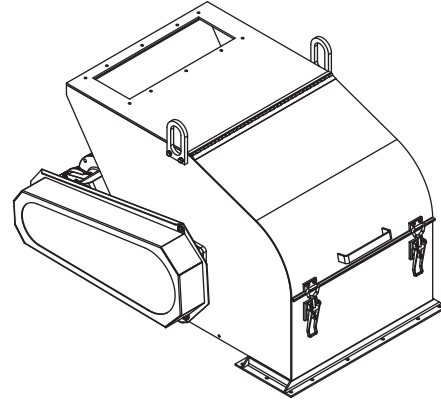
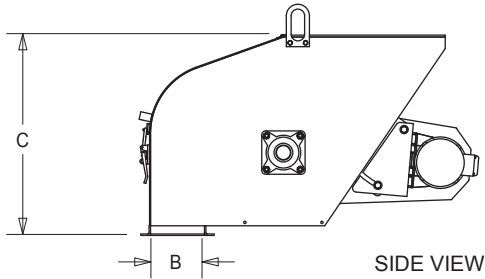


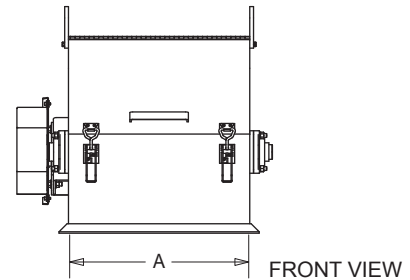


ROTARY STREAM SPREADERS

KICE INDUSTRIES, INC. / 5500 Mill Heights Drive / Park City, KS 67219 www.kice.com / sales@kice.com



MODEL #	A	B	C	D (APPROX)	REEL DIA.
RSS 8-12	12	3	12 1/4	30 3/4	8
RSS 8-18	18	3	12 1/4	30 3/4	8
RSS 8-24	24	3	12 1/4	30 3/4	8
RSS 8-30	30	3	12 1/4	30 3/4	8
RSS 8-36	36	3	12 1/4	30 3/4	8
RSS 8-42	42	3	12 1/4	30 3/4	8
RSS 8-48	48	3	12 1/4	30 3/4	8
RSS 12-12	12	3	17 3/4	37	12
RSS 12-18	18	3	17 3/4	37	12
RSS 12-24	24	3	17 3/4	37	12
RSS 12-30	30	3	17 3/4	37	12
RSS 12-36	36	3	17 3/4	37	12
RSS 12-42	42	3	17 3/4	37	12
RSS 12-48	48	3	17 3/4	37	12
RSS 12-60	60	3	17 3/4	37	12
RSS 12-72	72	3	17 3/4	37	12
RSS 12-84	84	3	17 3/4	37	12
RSS 12-96	96	3	17 3/4	37	12
RSS 18-12	12	7	26	47	18
RSS 18-18	18	7	26	47	18
RSS 18-24	24	7	26	47	18
RSS 18-30	30	7	26	47	18
RSS 18-36	36	7	26	47	18
RSS 18-42	42	7	26	47	18
RSS 18-48	48	7	26	47	18
RSS 18-60	60	7	26	47	18
RSS 18-72	72	7	26	47	18
RSS 18-84	84	7	26	47	18
RSS 18-96	96	7	26	47	18
RSS 18-108	108	7	26	47	18



NOTES:

STANDARD RECTANGULAR INLET UNLESS OTHERWISE SPECIFIED

INLET BOLT HOLE PATTERN AND OUTLET FLANGE PATTERN AVAILABLE UPON REQUEST

DIMENSIONS SHOWN ARE ESTIMATES

DETAILED APPROVAL DRAWINGS AVAILABLE UPON REQUEST