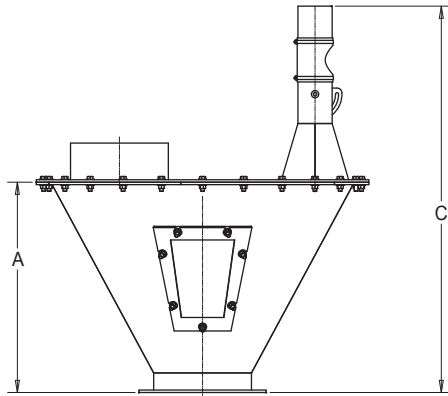


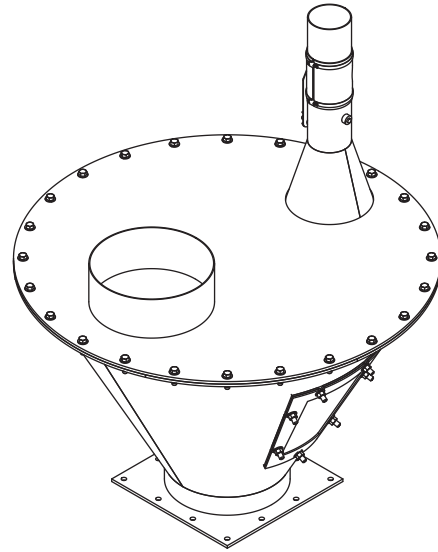


SURGE HOPPER TYPE II (ROUND)

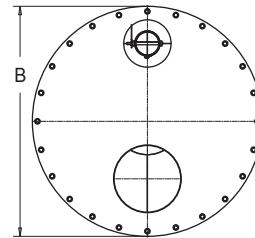
KICE INDUSTRIES, INC. / 5500 Mill Heights Drive / Park City, KS 67219 www.kice.com / sales@kice.com



SIDE VIEW



MODEL	VOLUME	A	B	C	EST. WEIGHT
24" TO 6"	2 cu. ft.	19	27	37	85
24" TO 8"	2 cu. ft.	17 1/2	27	35 1/2	87
31" TO 10"	4 cu. ft.	21 1/2	34	39 1/2	122
31" TO 12"	4 cu. ft.	20	34	38	122
38" TO 14"	7 cu. ft.	24 1/4	41	42 1/4	170
38" TO 15"	7 cu. ft.	23 1/4	41	42 1/4	170
45" TO 24"	10 cu. ft.	20 1/4	48	38 1/4	229



TOP VIEW

NOTES:

DIMENSIONS SHOWN MAY VARY DEPENDING ON JOB REQUIREMENTS

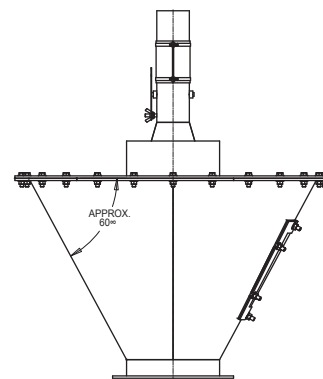
MATERIALS OF CONSTRUCTION PER SPECIFIC JOB

SQUARE OR ROUND FLANGES DEPENDING ON JOB

OPTIONAL SIGHT GLASS SHOWN

SQUARE SURGE HOPPERS AVAILABLE UPON REQUEST

INLET DIMENSION PER SPECIFIC JOB



FRONT VIEW