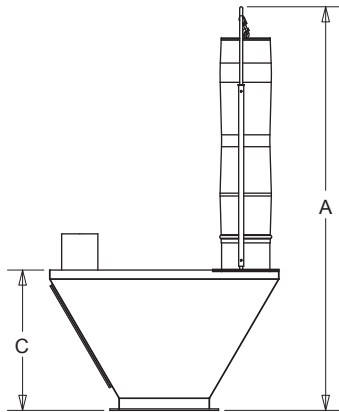


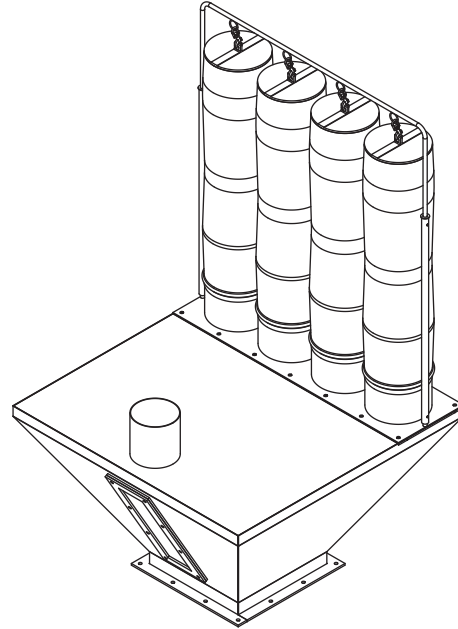


SURGE HOPPER TYPE I (SQUARE)

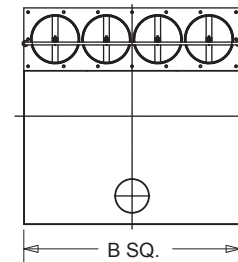
KICE INDUSTRIES, INC. / 5500 Mill Heights Drive / Park City, KS 67219 www.kice.com / sales@kice.com



SIDE VIEW



MODEL	A	B	C	EST. WEIGHT
24" TO 6"	62	24	19	85
24" TO 8"	60 1/2	24	17 1/2	85
31" TO 10"	64 1/2	31	21 1/2	100
31" TO 12"	63	31	20	100
38" TO 14"	67 1/4	38	24 1/4	115
38" TO 15"	66 1/4	38	23 1/4	115
45" TO 24"	63 1/4	45	20 1/4	135



TOP VIEW

NOTES:

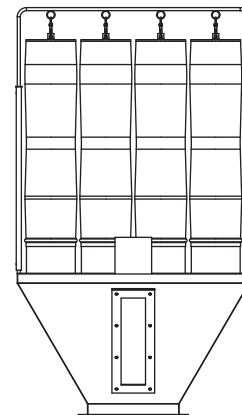
DIMENSIONS SHOWN MAY VARY DEPENDING ON JOB REQUIREMENTS

MATERIALS OF CONSTRUCTION PER SPECIFIC JOB

SQUARE OR ROUND FLANGES DEPENDING ON JOB

SIGHT GLASS STANDARD

INLET DIMENSION PER SPECIFIC JOB



FRONT VIEW