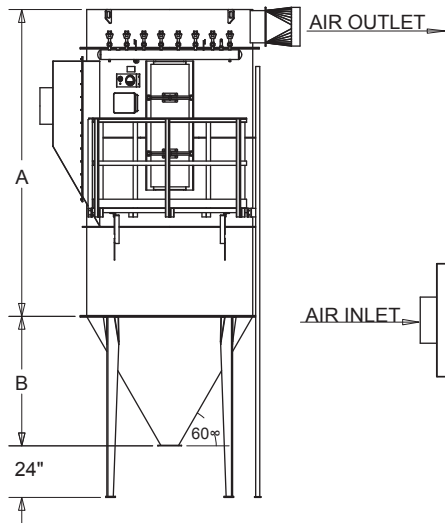


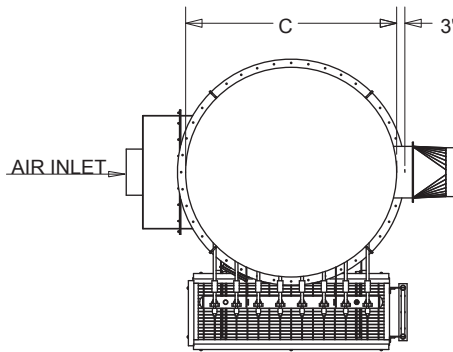


VR VENTURI JET FILTERS

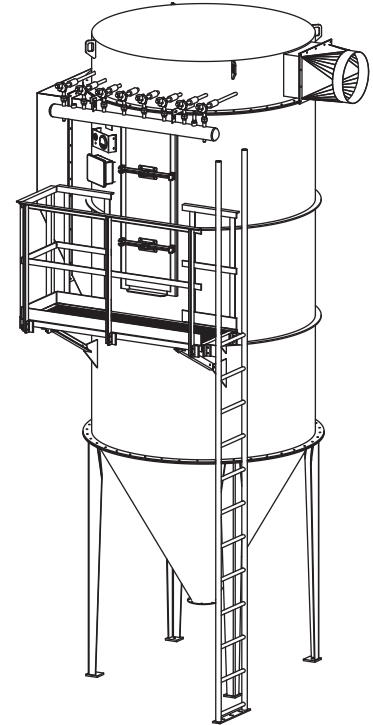
KICE INDUSTRIES, INC. / 5500 Mill Heights Drive / Park City, KS 67219 www.kice.com / sales@kice.com



FRONT VIEW



SIDE VIEW



MODEL #	FILTER AREA 2	A	B	C	EST. WEIGHT
VR 7-4	34	61	14 1/4	24	529
VR 16-4	75	71	29 3/4	42	1250
VR 21-4	99	71	31 1/2	44	1400
VR 32-4	151	71	41	55	1800
VR 45-4	212	71	50 1/2	66 1/4	2350
VR 7-6	49	86 3/4	14 1/4	24	592
VR 16-6	113	95	29 3/4	42	1900
VR 21-6	148	95	31 1/2	44	2050
VR 32-6	226	95	41	55	2650
VR 45-6	318	95	50 1/2	66 1/4	3250
VR 60-6	424	95	60 1/4	77 1/4	4150
VR 77-6	544	95	69 3/4	88 1/4	5050
VR 88-6	622	95	71 1/2	90 1/4	5350
VR 96-6	679	95	79 1/4	99 1/4	5900
VR 132-6	933	138	92	124	9250
VR 7-8	65	98 3/4	14 1/4	24	655
VR 16-8	151	119	29 3/4	42	2050
VR 21-8	198	119	31 1/2	44	2200
VR 32-8	302	119	41	55	2900
VR 45-8	424	119	50 1/2	66 1/4	3500
VR 60-8	565	119	60 1/4	77 1/4	4500
VR 77-8	726	119	69 3/4	88 1/4	5500
VR 88-8	829	119	71 1/2	90 1/4	5800
VR 96-8	905	143	79 1/4	99 1/4	6400
VR 132-8	1244	166	92	124	10,500
VR 16-10	188	143	29 3/4	42	2250
VR 21-10	247	143	31 1/2	44	2400
VR 32-10	377	143	41	55	3150
VR 45-10	530	143	50 1/2	66 1/4	4100
VR 60-10	707	143	60 1/4	77 1/4	4900
VR 77-10	907	143	69 3/4	88 1/4	5800
VR 88-10	1037	143	71 1/2	90 1/4	6250
VR 96-10	1131	143	79 1/4	99 1/4	6900
VR 132-10	1555	187	92	124	11,500

NOTES:

DIMENSIONS SHOWN MAY VARY DEPENDING ON JOB REQUIREMENTS

ENCLOSURE SUITABLE FOR EITHER POSITIVE OR NEGATIVE PRESSURE

PREASSEMBLED ENCLOSURE - BAGS AND CAGES TO BE INSTALLED ON SITE

FILTER BAGS 4.5" DIA. - LENGTHS VARY BY MODEL

OPTIONAL EXTERIOR WALKWAY AND LADDERS SHOWN

APPROVAL DRAWINGS TO BE SUBMITTED UPON RECEIPT OF ORDER

60 DEGREE HOPPER SHOWN
70 DEGREE HOPPER AVAILABLE